



VALLEYWOOD
CABINETRY



Specification Book

Available Colors

Painted Cabinets



Pure White

This crisp, bright white color will help lighten up any space! It's the perfect color for creating a minimalist and clean design, and it pairs well with a wide variety of color schemes and home décor accents.

This cabinet color comes with pre-finished sides.



Proper Gray

This modern gray color offers versatility by being part of a neutral color palette, yet it still contains just the right amount of warmth. With the ability to be paired with so many materials and fixtures, you'll find yourself enjoying the inherent ease and innovation of Proper Gray!

This cabinet color comes with pre-finished sides.



Marine Blue

Adding a pop of color to a kitchen has never been easier! This attractive shade of blue will help accent many aspects of your design, and will give any home some extra flair without sacrificing functionality. This unique, rich color can also be used to make an island the focal point of the room.

This cabinet color has unfinished sides and skins or end panels will need to be purchased.

Stained Cabinets



Ideal Gray

The sleek design and visible quality of our Gray stain can help add just the right touch of sophistication to any home! Convey a sense of ease, luxury, and style by pairing Ideal Gray with a light wall color, virtually any type of countertop (almost any countertop looks good with it!), and good lighting fixtures.

This cabinet color comes with pre-finished sides.



Rustic Hickory

Channel a more traditional and down-to-earth look with our Hickory stain! This light stain will accentuate the innate, rustic charm of the wood grain and can introduce a more natural vibe to any homeowner's kitchen or bath.

This cabinet color has unfinished sides and skins or end panels will need to be purchased.

Table of Contents

Wall Cabinets

<u>Wall Cabinet, 1 Door and Wall Cabinet, 2 Doors</u>	Page 1
<u>Bridge Wall Cabinet, 2 Doors and Wall Microwave Cabinet</u>	Page 2
<u>Wall Diagonal Corner Cabinet and Angle Wall Cabinet</u>	Page 3

Base Cabinets

<u>Base Cabinet, 1 Full Height Door, Full Height Base Cabinet with Spice Rack, and Base Cabinet, 1 Door, 1 Drawer</u>	Page 5
<u>Base Cabinet, 2 Doors, 1 Drawer, Base Cabinet, 2 Doors, 2 Drawers, and Sink Base Cabinet</u>	Page 6
<u>Farmhouse Sink Base Apron Cabinet and Corner Sink Base Diagonal Cabinet</u>	Page 7
<u>Drawer Base Cabinet, 2 Drawers and Drawer Base Cabinet, 3 Drawers</u>	Page 8
<u>Corner Base Cabinet with Lazy Susan and Blind Base Corner Cabinet</u>	Page 9
<u>Corner Base Diagonal Cabinet with Shelf and Angle Base Cabinet</u>	Page 10

Utility / Pantry Cabinets

<u>Pantry Cabinet and Built-in Oven Single/Double</u>	Page 11
---	---------

Vanity / Bath Cabinets

<u>Vanity Drawer Cabinet, Vanity Sink Base Cabinet, and Vanity Mirror</u>	Page 13
---	---------

Samples

<u>Sample Door</u>	Page 15
--------------------------	---------

Panels & Skins

<u>Base End Panel, Wall End Panel, and Dishwasher Panel</u>	Page 17
<u>Fridge Panel and Fridge Panel with Return (1 1/2" or 3" Filler)</u>	Page 18

Table of Contents

Panels & Skins (cont.)

Toe Kick, Base Cabinet Skin, Wall Cabinet Side Panel, and Island Panel Page 19

Accessories

Pullout Waste Bin Double Can, Wood Cutlery Tray, and Wood Utensil Tray Page 21

Spice Drawer Insert, Rollout Tray, and Tray Divider Page 22

Plate Rack, Wine Storage Cabinet, and Wine Rack Page 23

Wine Glass Rack, Pegboard, and Door Mount Storage Page 24

Sink Base Tilt Out, Straight Valance, and Traditional Arch Valance Page 25

Single Glass Door, Double Glass Door, and Mullion Door Page 26

Glass Shelf, Base Filler, and Wall Filler Page 27

Small Bar Bracket Corbel, Cabinet Feet, and Shaker-Tapered Wood Leg Post Page 28

Moldings

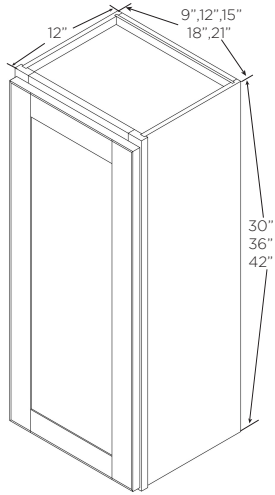
Scribe Molding, Classic Light Rail, Flat Light Rail, and Quarter Round Page 29

Classic Crown Molding, Flat Crown Molding, Large Cove Molding, and Corner Molding Page 30

Batten Molding, Base Molding, and Corner Cove Molding Page 31

Wall Cabinets

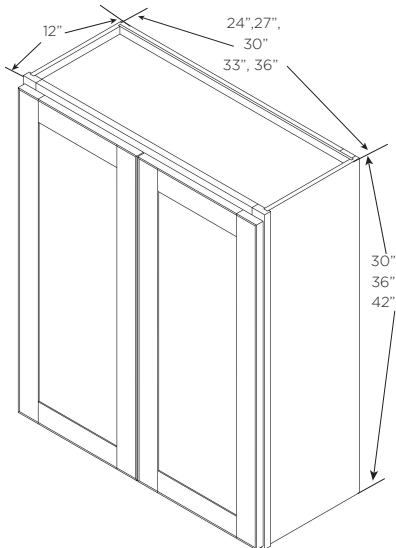
Wall Cabinet, 1 Door



SKU	W (in)	H (in)	D (in)
WC0930	9	30	12
WC1230	12	30	12
WC1530	15	30	12
WC1830	18	30	12
WC2130	21	30	12
WC0936	9	36	12
WC1236	12	36	12
WC1536	15	36	12
WC1836	18	36	12
WC2136	21	36	12
WC0942	9	42	12
WC1242	12	42	12
WC1542	15	42	12
WC1842	18	42	12
WC2142	21	42	12

- 30" and 36" high cabinets have 2 shelves
- 42" high cabinets have 3 shelves

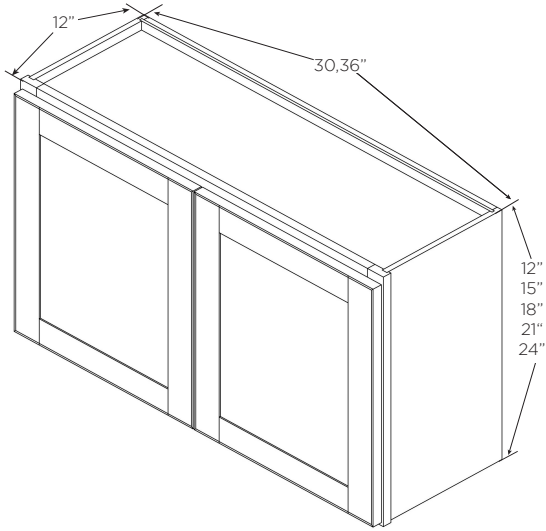
Wall Cabinet, 2 Doors



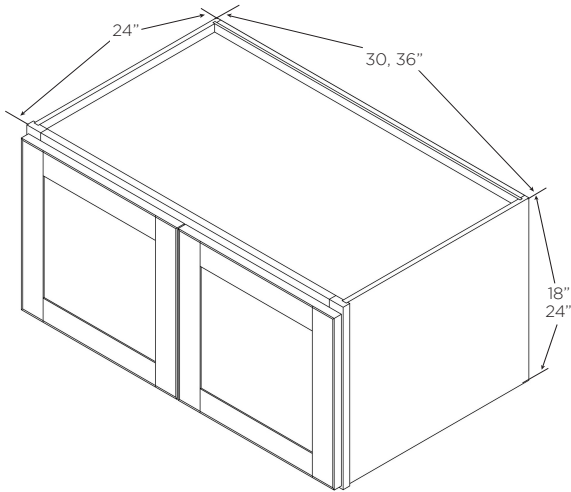
SKU	W (in)	H (in)	D (in)
WC2430	24	30	12
WC2730	27	30	12
WC3030	30	30	12
WC3330	33	30	12
WC3630	36	30	12
WC2436	24	36	12
WC2736	27	36	12
WC3036	30	36	12
WC3336	33	36	12
WC3636	36	36	12
WC2442	24	42	12
WC2742	27	42	12
WC3042	30	42	12
WC3342	33	42	12
WC3642	36	42	12

- 30" and 36" high cabinets have 2 shelves
- 42" high cabinets have 3 shelves

Bridge Wall Cabinet, 2 Doors

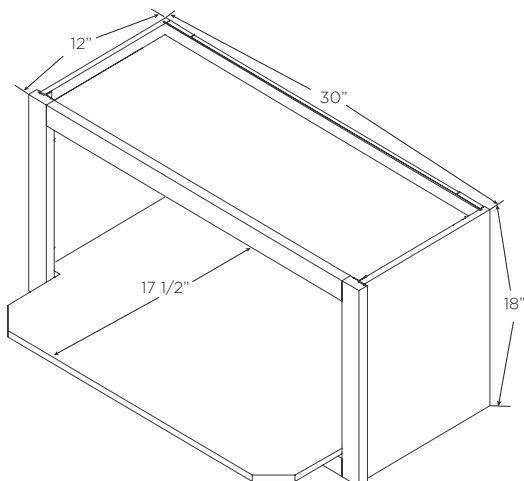


SKU	W (in)	H (in)	D (in)
WC3012	30	12	12
WC3015	30	15	12
WC3018	30	18	12
WC3021	30	21	12
WC3024	30	24	12
WC3612	36	12	12
WC3615	36	15	12
WC3618	36	18	12
WC3624	36	24	12



SKU	W (in)	H (in)	D (in)
WC361824	36	18	24
WC362424	36	24	24

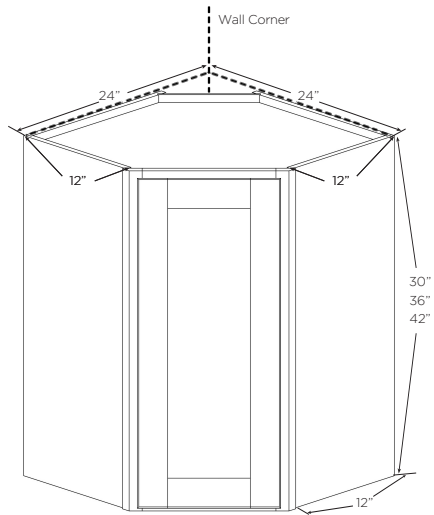
Wall Microwave Cabinet



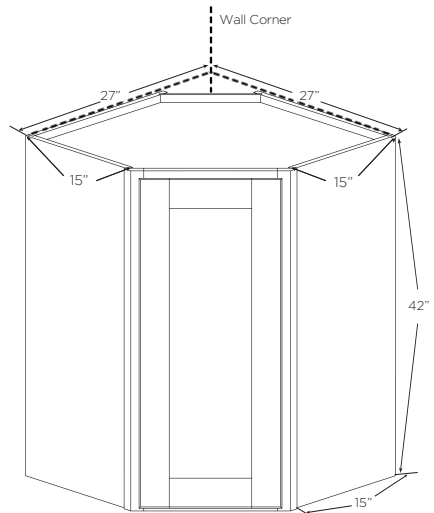
SKU	W (in)	H (in)	D (in)
WM3018	30	18	12

- Microwave opening is 14 1/3 high by 26 7/8 wide

Wall Diagonal Corner Cabinet

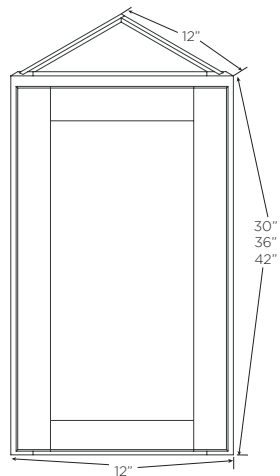


SKU	W (in)	H (in)	D (in)
WD2430	24	30	12
WD2436	24	36	12
WD2442	24	42	12



SKU	W (in)	H (in)	D (in)
WD274215	27	42	15

Angle Wall Cabinet

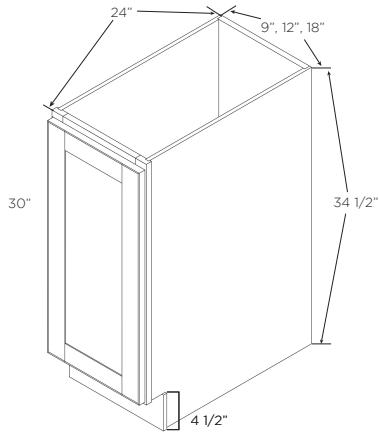


SKU	W (in)	H (in)	D (in)
AW1230	12	30	12
AW1236	12	36	12
AW1242	12	42	12

- Comes pre-assembled

Base Cabinets

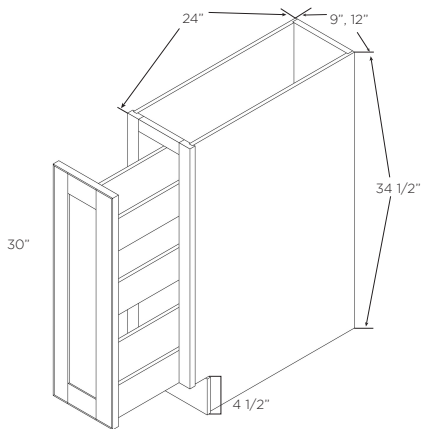
Base Cabinet, 1 Full Height Door



SKU	W (in)	H (in)	D (in)
BC09FH	9	34 1/2	24
BC12FH	12	34 1/2	24
BC18FH	18	34 1/2	24

- 1 shelf included
- Pullout waste bin (PWB18K) can be mounted on the door front of a BC18FH or BC18

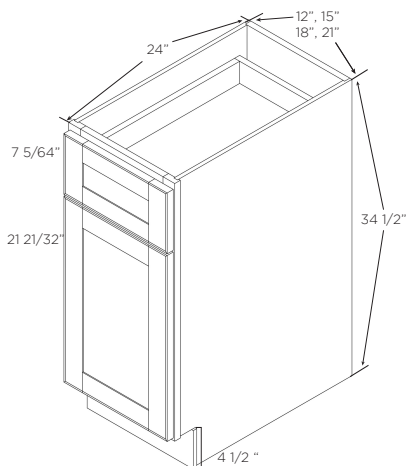
Full Height Base Cabinet with Spice Rack



SKU	W (in)	H (in)	D (in)
SR09	9	34 1/2	24
SR12	12	34 1/2	24

- Comes pre-assembled

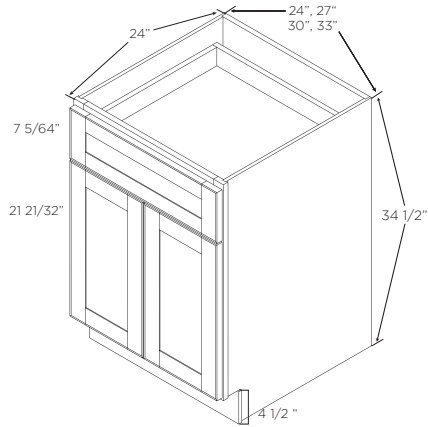
Base Cabinet, 1 Door, 1 Drawer



SKU	W (in)	H (in)	D (in)
BC12	12	34 1/2	24
BC15	15	34 1/2	24
BC18	18	34 1/2	24
BC21	21	34 1/2	24

- 1 shelf included
- Pullout waste bin (PWB18K) can be mounted on the door front of a BC18FH or BC18

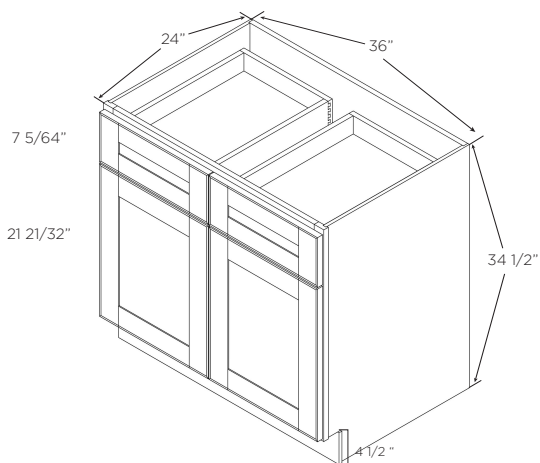
Base Cabinet, 2 Doors, 1 Drawer



SKU	W (in)	H (in)	D (in)
BC24	24	34 1/2	24
BC27	27	34 1/2	24
BC30	30	34 1/2	24
BC33	33	34 1/2	24

- 1 shelf included
- All two door base cabinets are BUTT cabinets, (no center stile).

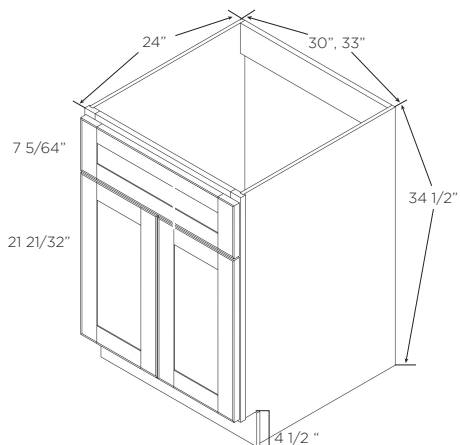
Base Cabinet, 2 Doors, 2 Drawers



SKU	W (in)	H (in)	D (in)
BC36	36	34 1/2	24

- 1 shelf included
- All two door base cabinets are BUTT cabinets, (no center stile).

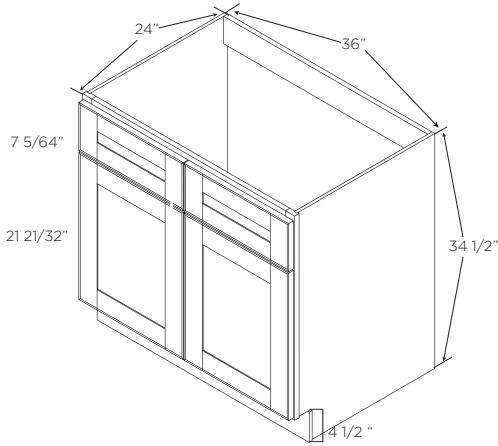
Sink Base Cabinet



SKU	W (in)	H (in)	D (in)
SB30	30	34 1/2	24
SB33	33	34 1/2	24

- All two door base cabinets are BUTT cabinets, (no center stile).
- SBTO kits sold separately, SBTO30 is 1 tray and SBTO36 is 2 trays

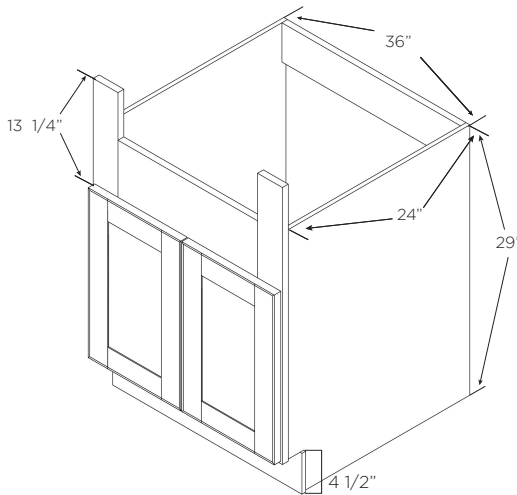
Sink Base Cabinet



SKU	W (in)	H (in)	D (in)
SB36	36	34 1/2	24

- All two door base cabinets are BUTT cabinets, (no center stile).
- SBTO kits sold separately, SBTO30 is 1 tray and SBTO36 is 2 trays

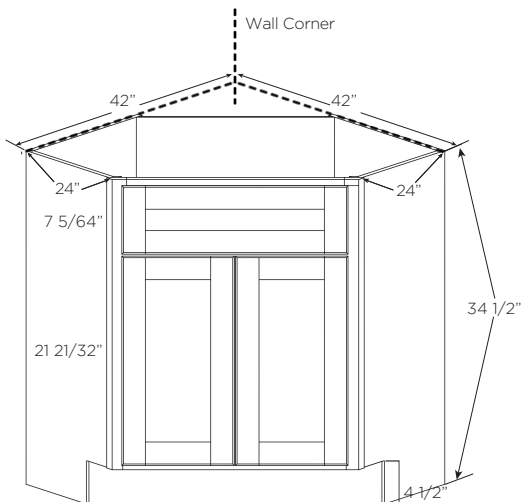
Farmhouse Sink Base Apron Cabinet



SKU	W (in)	H (in)	D (in)
SBA36	36	34 1/2	24

- 13 1/4 can be trimmed to 11 1/2.
- Refer to sink manufacturer's recommendations for additional support required for apron and farmhouse front sinks.
- All two door base cabinets are BUTT cabinets, (no center stile).

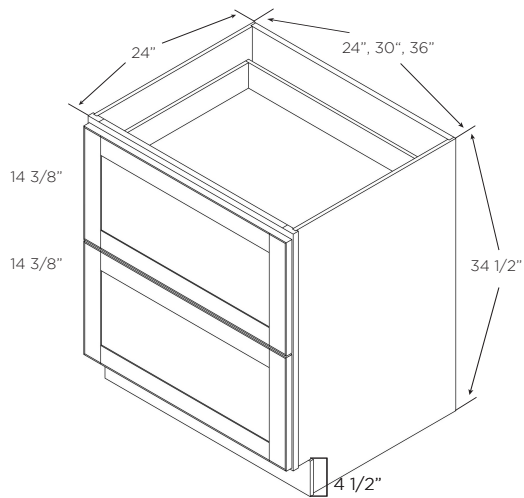
Corner Sink Base Diagonal Cabinet



SKU	W (in)	H (in)	D (in)
SBCD42	42	34 1/2	24

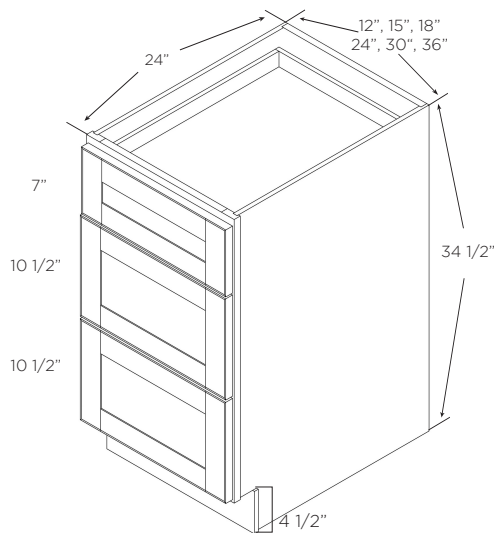
- For adequate dishwasher door clearance and load-ing/unloading space, a 15" or larger base cabinet is recommended for use between a corner sink base and dishwasher.
- SBTO kits sold separately, SBTO30 is 1 tray and SBTO36 is 2 trays

Drawer Base Cabinet, 2 Drawers



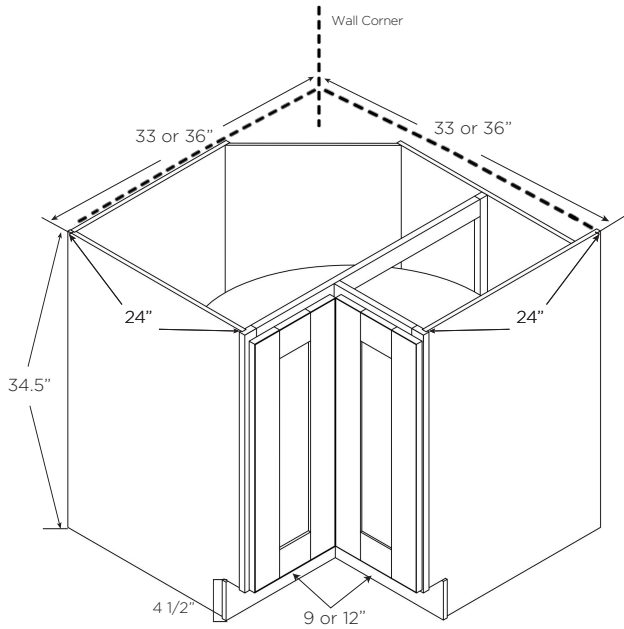
SKU	W (in)	H (in)	D (in)
DC224	24	34 1/2	24
DC230	30	34 1/2	24
DC236	36	34 1/2	24

Drawer Base Cabinet, 3 Drawers



SKU	W (in)	H (in)	D (in)
DC312	12	34 1/2	24
DC315	15	34 1/2	24
DC318	18	34 1/2	24
DC324	24	34 1/2	24
DC330	30	34 1/2	24
DC336	36	34 1/2	24

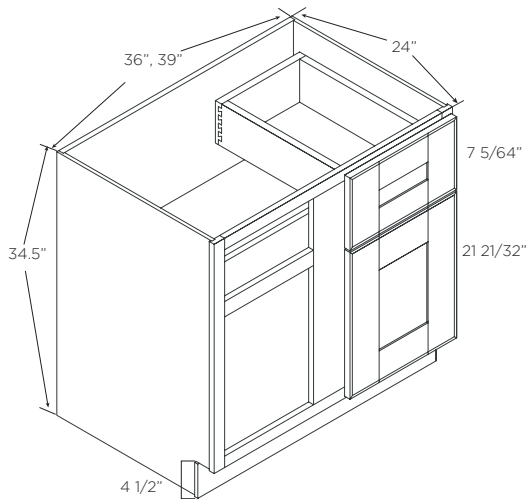
Corner Base Cabinet with Lazy Susan



SKU	W (in)	H (in)	D (in)
CB33	33	34 1/2	24
CB36	36	34 1/2	24

- All wood Lazy Susan
- Upper platter is mounted on a half-shelf

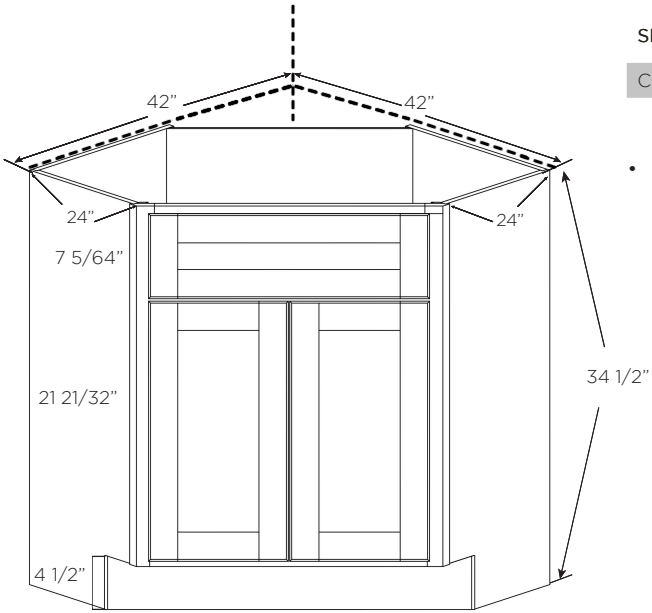
Blind Base Corner Cabinet



SKU	W (in)	H (in)	D (in)
BBC42	36	34 1/2	24
BBC45	39	34 1/2	24

- BBC42 can be pulled up to 42" minimum or 45" maximum from wall
- BBC42 door is 16 1/8" wide and the door opening is 13 1/2" wide
- BBC45 can be pulled up to 45" minimum or 48" maximum from wall
- BBC45 door is 17 5/8" wide and the door opening is 15" wide
- Universal left and right cabinet
- Perpendicular cabinet requires 3" filler for adequate clearance and is not included

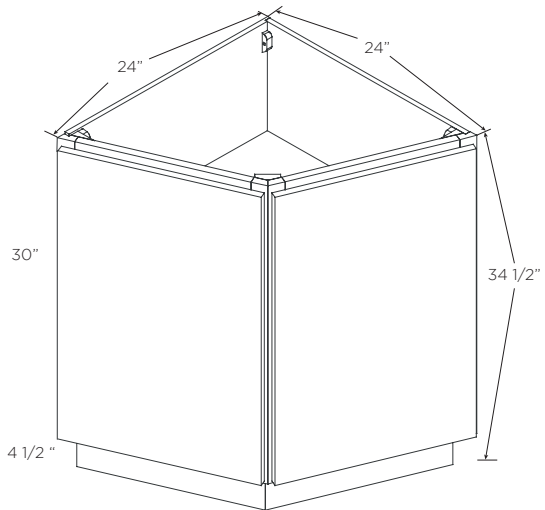
Corner Base Diagonal Cabinet with Shelf



SKU	W (in)	H (in)	D (in)
CBD42	42	34 1/2	24

- 1 shelf included

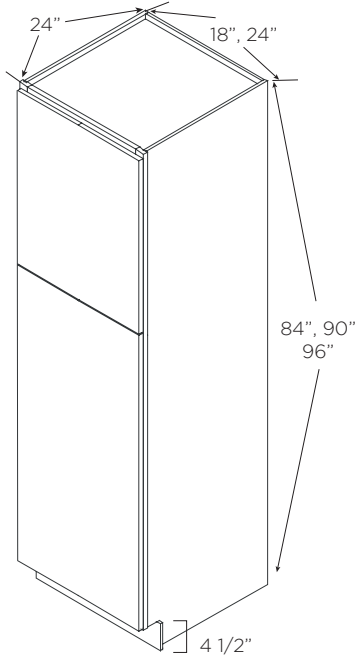
Angle Base Cabinet



SKU	W (in)	H (in)	D (in)
AB124	24	34 1/2	24

Utility / Pantry Cabinets

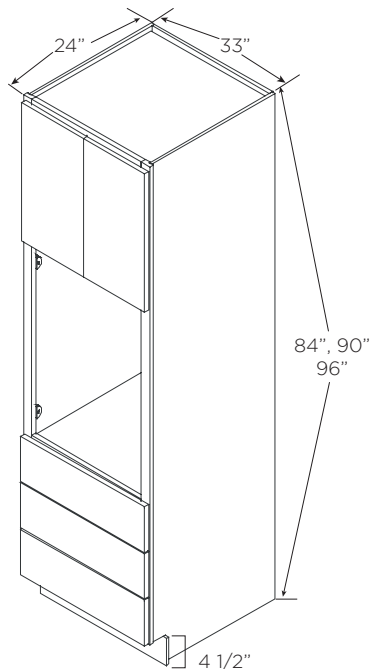
Pantry Cabinet



SKU	W (in)	H (in)	D (in)	Top Door H (in)
LC1884	18	84	24	29 3/4
LC1890	18	90	24	35 3/4
LC1896	18	96	24	41 3/4
LC2484	24	84	24	29 3/4
LC2490	24	90	24	35 3/4
LC2496	24	96	24	41 3/4

- Lower cabinet opening is 49 1/3"

Built-in Oven Single/Double

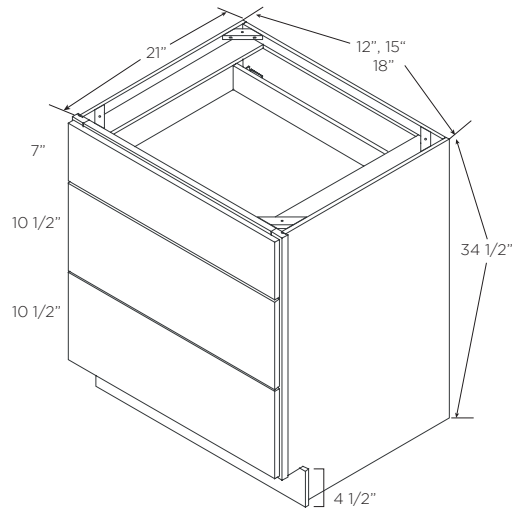


SKU	W (in)	H (in)	D (in)	Top Doors H (in)
OC3384SD	33	84	24	16 3/4
OC3390SD	33	90	24	22 3/4
OC3396SD	33	96	24	28 3/4

- Frame opening height: 27"
- Maximum cutout width: 31 1/2"
- Maximum cut-out dimension will allow 1/4" reveal
- Drawer height 7"
- For double oven, remove bottom two drawers and install support.

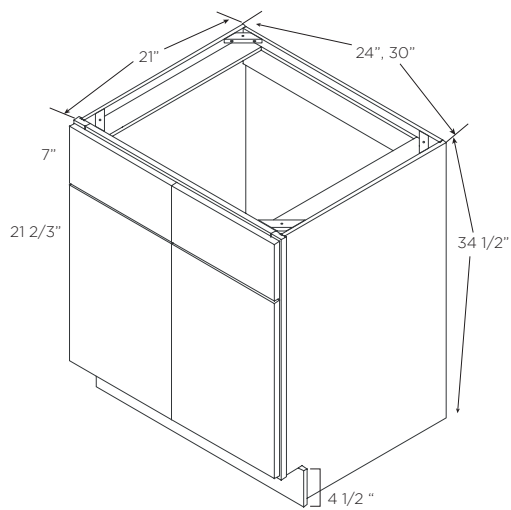
Vanity / Bath Cabinets

Vanity Drawer Cabinet



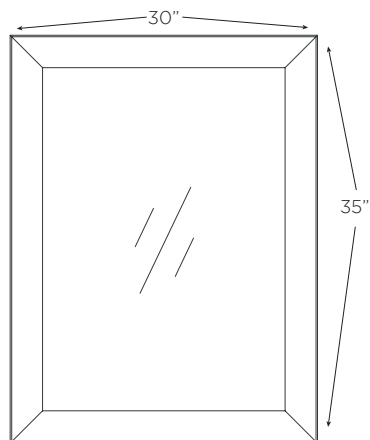
SKU	W (in)	H (in)	D (in)
VDC12	12	34 1/2	21
VDC15	15	34 1/2	21
VDC18	18	34 1/2	21

Vanity Sink Base Cabinet



SKU	W (in)	H (in)	D (in)
VSB24	24	34 1/2	21
VSB30	30	34 1/2	21

Vanity Mirror

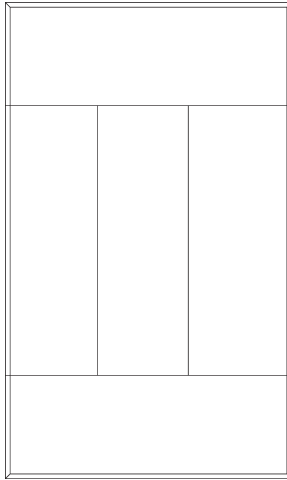


SKU	W (in)	H (in)	D (in)
VM3035	30	35	3/4

- Can be mounted either horizontal or vertical with included hardware

Samples

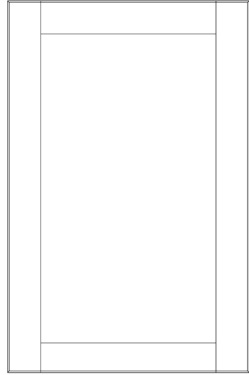
Sample Door



SKU	W (in)	H (in)	D (in)
DS1215	12	15	3/4

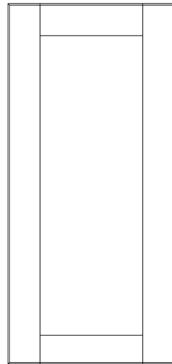
Panels & Skins

Base End Panel



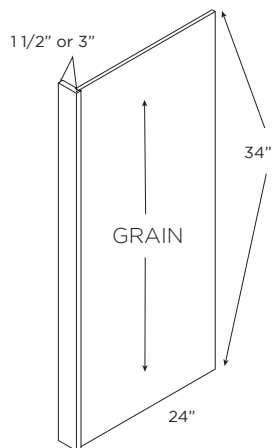
SKU	W (in)	H (in)	D (in)
BEP30	23 3/4	29 1/4	3/4
BEP36	23 3/4	33 3/4	3/4

Wall End Panel



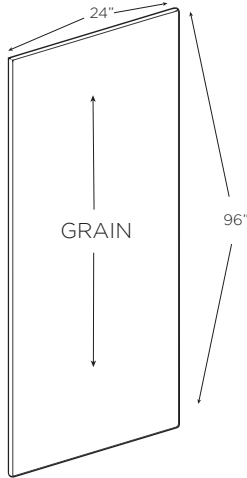
SKU	W (in)	H (in)	D (in)
WEP30	11 3/4	29	3/4
WEP36	11 3/4	35	3/4
WEP42	11 3/4	41	3/4

Dishwasher Panel



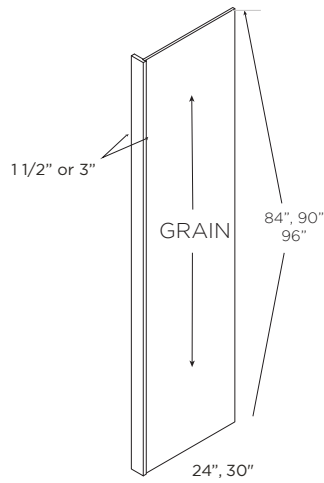
SKU	W (in)	H (in)	D (in)
DWP1.5	1 1/2	34 1/2	24
DWP3	3	34 1/2	24

Fridge Panel



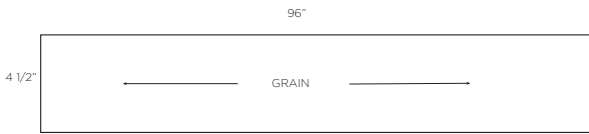
SKU	W (in)	H (in)	D (in)
REF9624	3/4	96	24

Fridge Panel with Return (1 1/2" or 3" Filler)



SKU	W (in)	H (in)	D (in)
FP9624-1.5	1 1/2	96	24
FP9624-3	3	96	24
REF3084(1.5)	1 1/2	84	30
REF3090(1.5)	1 1/2	90	30
REF3096(1.5)	1 1/2	96	30

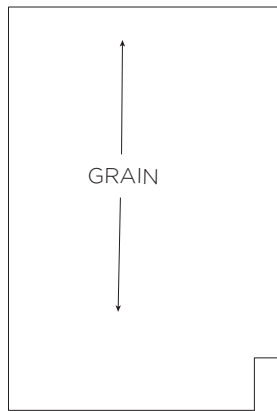
Toe Kick



SKU	W (in)	H (in)	D (in)
TK8	96	4 1/2	3/16

- Painted finishes will not show grain

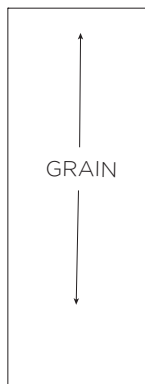
Base Cabinet Skin



SKU	W (in)	H (in)	D (in)
BSKIN	23 1/4	34 1/2	3/16

- Painted finishes will not show grain

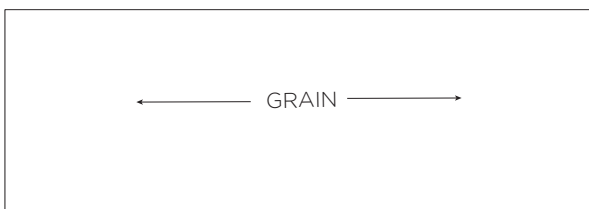
Wall Cabinet Side Panel



SKU	W (in)	H (in)	D (in)
WSP30	11 1/4	30	3/16
WSP36	11 1/4	36	3/16
WSP42	11 1/4	42	3/16

- Painted finishes will not show grain

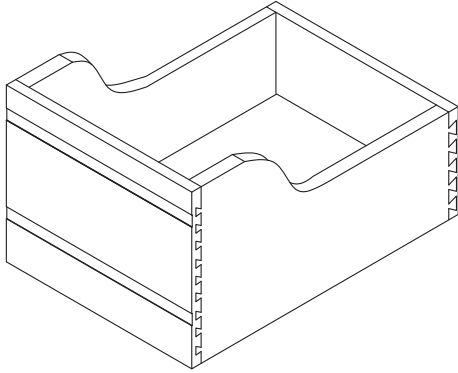
Island Panel



SKU	W (in)	H (in)	D (in)
IP96K	96	36	3/16

Accessories

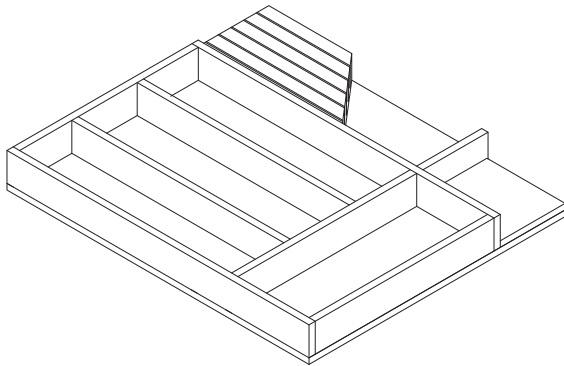
Pullout Waste Bin Double Can



SKU	W (in)	H (in)	D (in)
PWB18K	14 1/8	11	21

- Natural birch

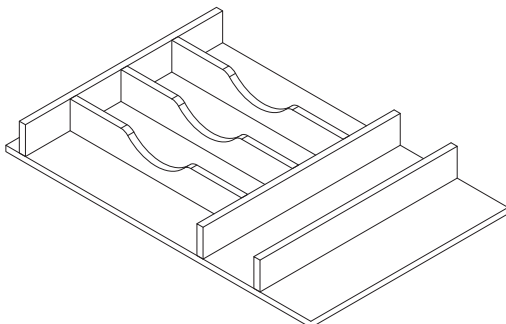
Wood Cutlery Tray



SKU	W (in)	H (in)	D (in)
WCT18	13 1/4	2 3/8	19 3/4
WCT24	19 1/4	2 3/8	19 3/4

- Natural birch
- WCT18 fits in BC18 and WCT24 fits in BC24

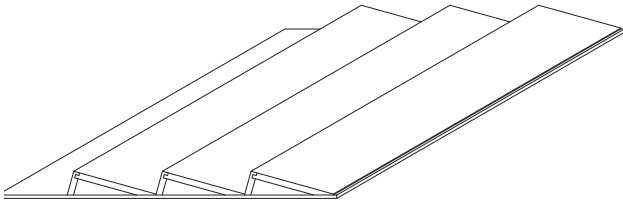
Wood Utensil Tray



SKU	W (in)	H (in)	D (in)
WUT18	13 1/4	2 3/8	19 3/4
WUT24	19 1/4	2 3/8	19 3/4
WUT30	25 1/4	2 3/8	19 3/4

- Natural birch
- WUT18 fits in BC18, WUT24 fits in BC24, and WUT30 fits in BC30

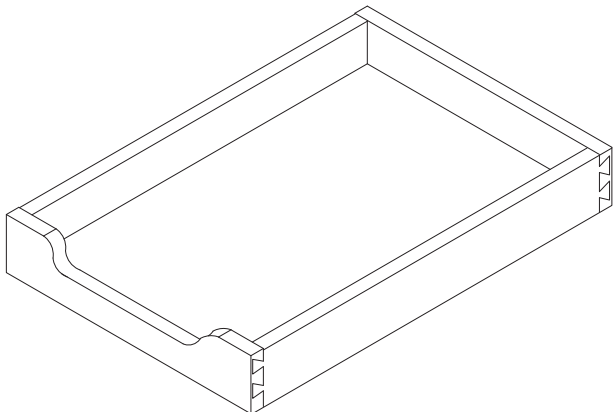
Spice Drawer Insert



SKU	W (in)	H (in)	D (in)
SDI18	13 1/4	1 5/8	19 3/4

- Natural birch

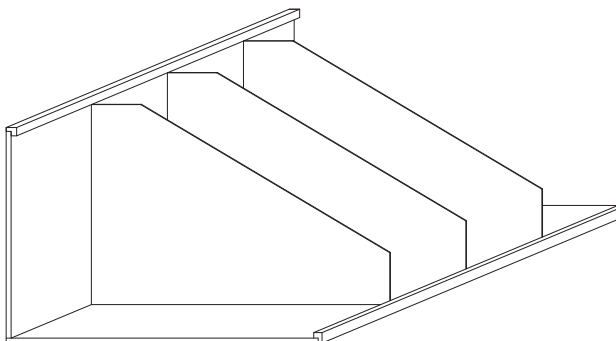
Rollout Tray



SKU	W (in)	H (in)	D (in)
RT15K	11 1/8	3	21
RT18K	14 1/8	3	21
RT21K	17 1/8	3	21
RT24K	20 1/8	3	21
RT27K	23 1/8	3	21
RT30K	26 1/8	3	21

- Natural birch

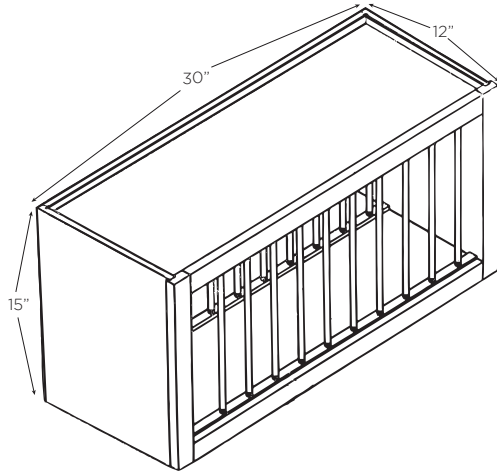
Tray Divider



SKU	W (in)	H (in)	D (in)
TD3	10 3/8	15 3/8	22 1/2

- Natural birch
- TD3 fits in a BC12

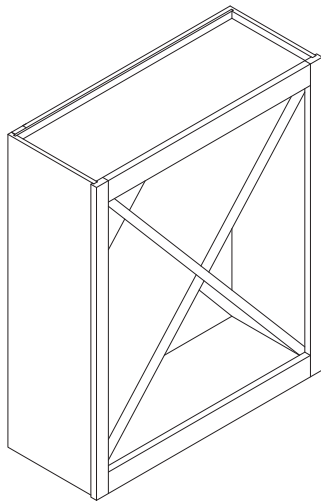
Plate Rack



SKU	W (in)	H (in)	D (in)
PL3015	30	15	12

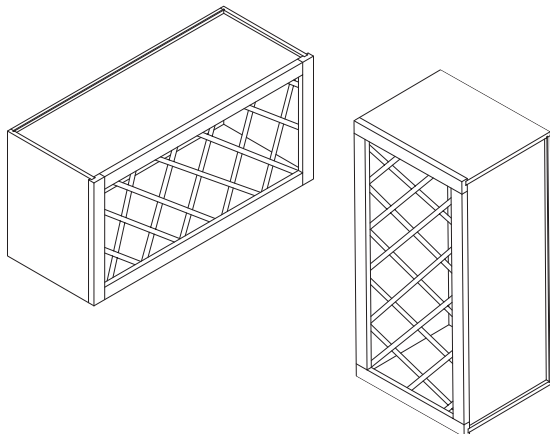
- Birch interior

Wine Storage Cabinet



SKU	W (in)	H (in)	D (in)
WSC1818	18	18	12
WSC2424	24	24	12

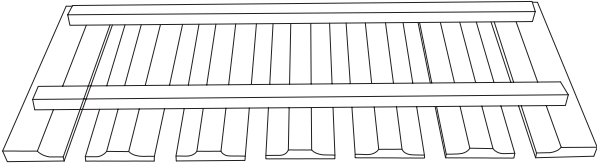
Wine Rack



SKU	W (in)	H (in)	D (in)
WR1530	15	30	12
WR1536	15	36	12
WR1542	15	42	12
WR1830	18	30	12
WR1836	18	36	12
WR3015	30	15	12
WR3018	30	18	12

- Birch interior

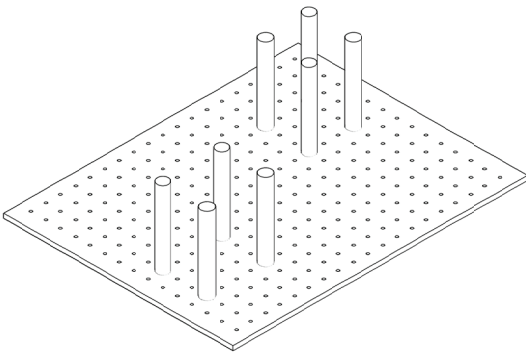
Wine Glass Rack



SKU	W (in)	H (in)	D (in)
WR30GH	30	1 1/2	12

- Finished on all sides

Pegboard



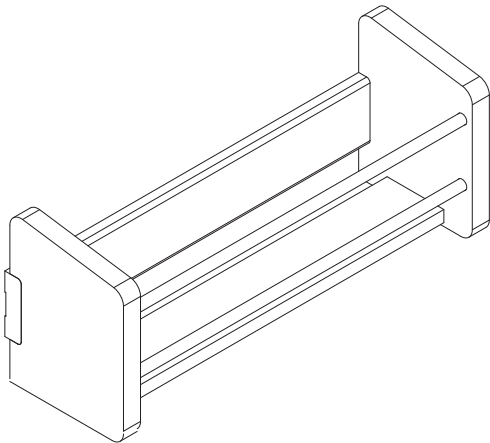
SKU	W (in)	H (in)	D (in)
PEGB30	25 3/8	3/8	19 3/4
PEGB36	31 3/8	3/8	19 3/4

- Natural birch pegs with MDF base

Replacement Pegs

SKU	W (in)	H (in)	D (in)
PEG9	1	6	1

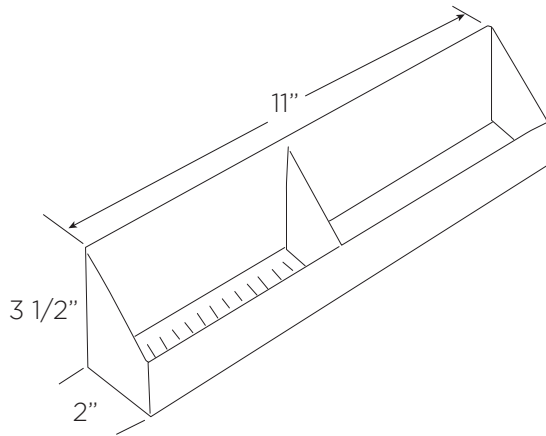
Door Mount Storage



SKU	W (in)	H (in)	D (in)
DMS12	7 1/2	5	4 1/8
DMS15	10 1/2	5	4 1/8

- Natural birch

Sink Base Tilt Out



SKU	W (in)	H (in)	D (in)
SBTO30	11	3 3/4	2
SBTO36	11	3 3/4	2

- SBTO36 comes with 2 trays

Straight Valance



SKU	W (in)	H (in)	D (in)
STV36	36	4	3/4
STV48	48	4	3/4

- Painted finishes: all sides finished

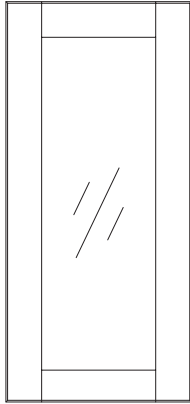
Traditional Arch Valance



SKU	W (in)	H (in)	D (in)
TAV36	36	4	3/4
TAV48	48	4	3/4

- Painted finishes: all sides finished
- Trimmable up to 4" each side

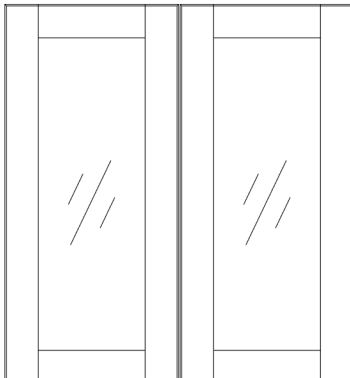
Single Glass Door



SKU	W (in)	H (in)	D (in)
WC1230GD	11 5/8	29	3/4
WC1236GD	11 5/8	35	3/4
WC1242GD	11 5/8	41	3/4
WC1530GD	14 5/8	29	3/4
WC1536GD	14 5/8	35	3/4
WC1542GD	14 5/8	41	3/4
WC1830GD	17 5/8	29	3/4
WC1836GD	17 5/8	35	3/4
WC1842GD	17 5/8	41	3/4
WC2130GD	20 5/8	29	3/4
WC2136GD	20 5/8	35	3/4
WC2142GD	20 5/8	41	3/4

- Frosted tempered glass installed
- Full cabinets must be bought separately, this SKU is only 1 door

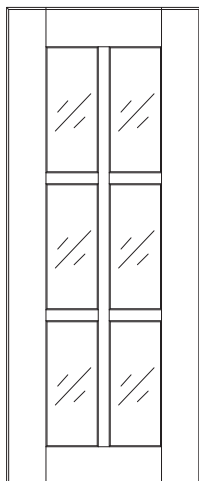
Double Glass Door



SKU	W (in)	H (in)	D (in)
WC2430GD	11 3/4	29	3/4
WC2436GD	11 3/4	35	3/4
WC2442GD	11 3/4	41	3/4
WC3030GD	14 3/4	29	3/4
WC3036GD	14 3/4	35	3/4
WC3042GD	14 3/4	41	3/4
WC3630GD	17 3/4	29	3/4
WC3636GD	17 3/4	35	3/4
WC3642GD	17 3/4	41	3/4

- Frosted tempered glass installed
- Each SKU contains two doors, full cabinets must be bought separately

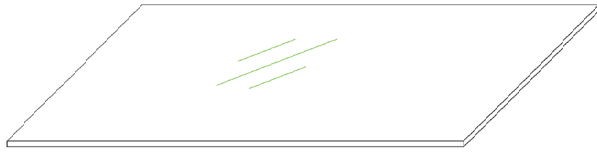
Mullion Door



SKU	W (in)	H (in)	D (in)
MD1230	11 5/8	29	3/4
MD1236	11 5/8	35	3/4
MD1242	11 5/8	41	3/4
MD1530	14 5/8	29	3/4
MD1536	14 5/8	35	3/4
MD1542	14 5/8	41	3/4
MD1830	17 5/8	29	3/4
MD1836	17 5/8	35	3/4
MD1842	17 5/8	41	3/4

- Frosted tempered glass installed
- Full cabinets must be bought separately, this SKU is only 1 door

Glass Shelf



SKU	W (in)	H (in)	D (in)
GS09	7 1/2	5/16	10 1/2
GS12	10 1/2	5/16	10 1/2
GS15	13 1/2	5/16	10 1/2
GS18	16 1/2	5/16	10 1/2
GS21	19 1/2	5/16	10 1/2
GS24	22 1/2	5/16	10 1/2
GS30	28 1/2	5/16	10 1/2
GS36	34 1/2	5/16	10 1/2

- Frosted tempered glass
- Each SKU contains 1 shelf

Base Filler



SKU	W (in)	H (in)	D (in)
BF3	3	34 1/2	3/4
BF6	6	34 1/2	3/4

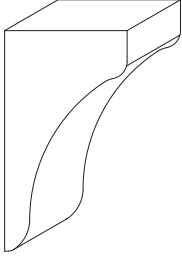
Wall Filler



SKU	W (in)	H (in)	D (in)
WF330	3	30	3/4
WF336	3	36	3/4
WF342	3	42	3/4
WF396	3	96	3/4
WF630	6	30	3/4
WF636	6	36	3/4
WF642	6	42	3/4

- Finished on 3 sides, back natural

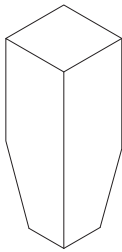
Small Bar Bracket Corbel



SKU	W (in)	H (in)	D (in)
SBC9	4	9	2 1/2

- Painted finishes: all sides finished

Cabinet Feet



SKU	W (in)	H (in)	D (in)
CF5	2 1/4	5	2 1/4

- Painted finishes: all sides finished

Shaker-Tapered Wood Leg Post

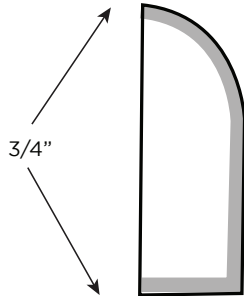


SKU	W (in)	H (in)	D (in)
STL36	3 1/2	36	3 1/2


- Natural birch

Moldings

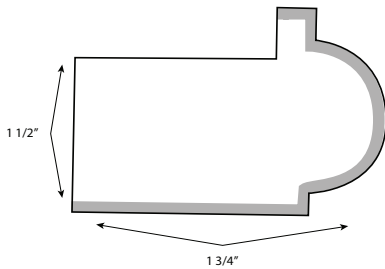
Scribe Molding



SKU	W (in)	H (in)	D (in)
SM8	96	3/4	3/4

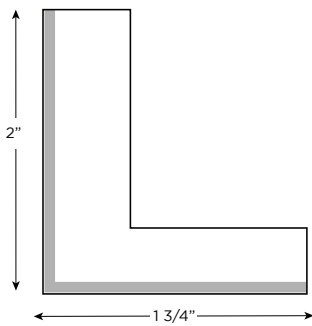
 • Denotes painted edge

Classic Light Rail



SKU	W (in)	H (in)	D (in)
LRC8	96	1 1/2	1 3/4

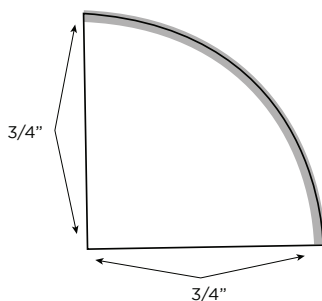
Flat Light Rail



SKU	W (in)	H (in)	D (in)
LRF8	96	2	1 3/4

 • Denotes painted edge

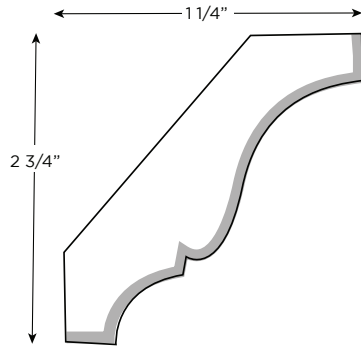
Quarter Round




SKU	W (in)	H (in)	D (in)
QR8	96	3/4	3/4

 • Denotes painted edge

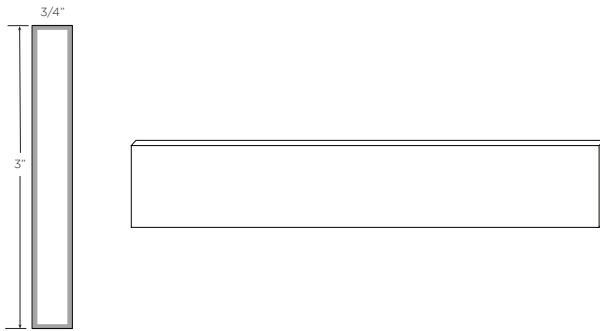
Classic Crown Molding



SKU	W (in)	H (in)	D (in)
CMC8	96	2 3/4	1 1/4

 • Denotes painted edge

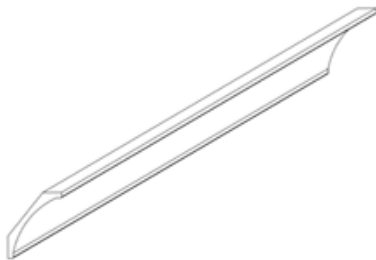
Flat Crown Molding



SKU	W (in)	H (in)	D (in)
CMF8	96	3	3/4

• All sides finished

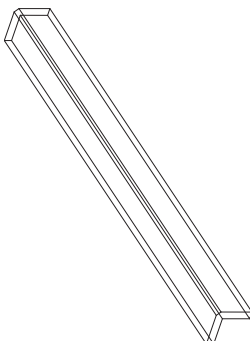
Large Cove Molding



SKU	W (in)	H (in)	D (in)
LCM8	96	3 7/8	2 3/4

• All sides finished

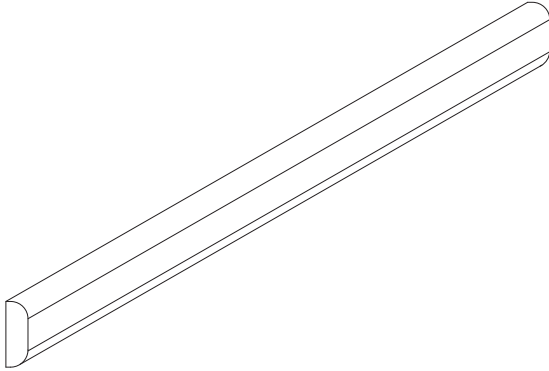
Corner Molding



SKU	W (in)	H (in)	D (in)
OM8	96	3/4	3/4

• Painted exterior. Interior natural

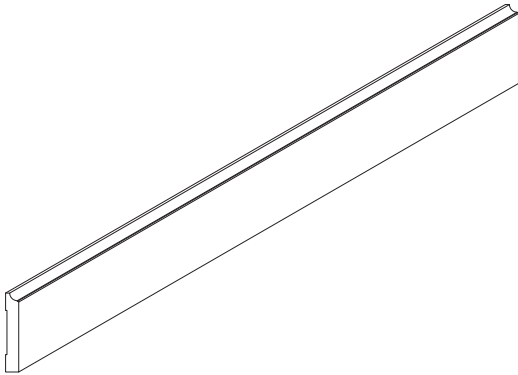
Batten Molding



SKU	W (in)	H (in)	D (in)
BTM8	96	3/4	1/4

- All sides finished

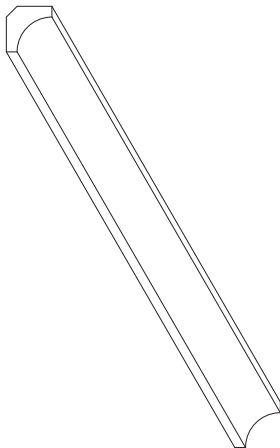
Base Molding



SKU	W (in)	H (in)	D (in)
BM8	96	4 1/2	3/8

- All sides finished

Corner Cove Molding



SKU	W (in)	H (in)	D (in)
CCM8	96	1/2	1/2

- Painted exterior, interior natural