

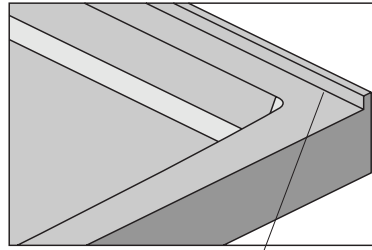
SHOWER BASE INSTALLATION



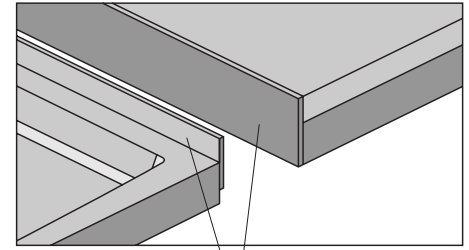
WOLF HOME PRODUCTS™

IMPORTANT HANDLING NOTE

DO NOT use integral flanges or leak-proof fiberglass flanges to lift base. Lifting by flanges can cause flanges to break.



Integral Marble Flange

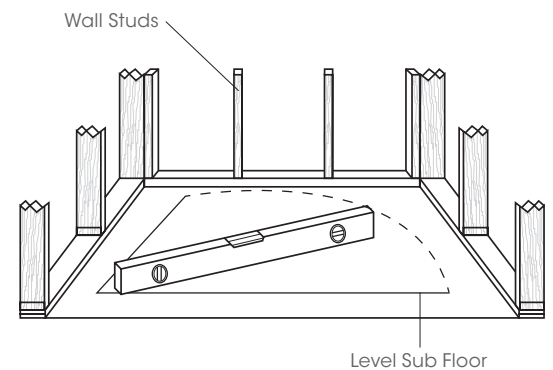


Attached Fiberglass Flange

1. PREPARING THE FLOOR

Verify that the floor is firm and structurally sound. If the floor has flex additional framing/support must be added where necessary. Floor must be level, flat and clean. If floor is not level, use thin set or another leveling agent to create a level surface. (Leveling products must be completely cured before setting base) All nail/screws in floor must be countersunk. Cut a 5"-6" hole in subfloor for drain clearance while setting base. Larger than 6" hole will not provide the proper required support.

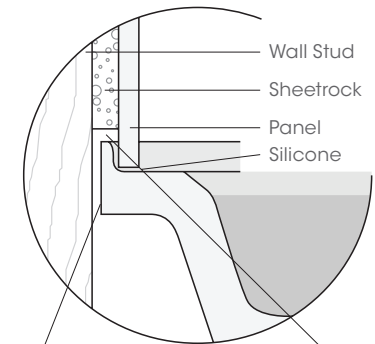
Additional Notes: Bases can be installed onto wood subfloors, underlayment board (HardieBacker), concrete, or similar flooring materials. Bases must not be set in wet thin set or concrete as the base needs to expand and contract with temperature change.



2. INSTALLATION OVERVIEW

Bases should not be installed tight to wall studs and wall board to allow for expansion. The picture in this section shows the recommend expansion gap and clearance gap, and are important to maintain. Wall panel or tile is to be installed inside of the water dam with a 100% silicone seal only.

Additional Notes: Walls should be framed plumb. It's important to install all additional framing needed for shower seats, grab bars and showers doors at this time. If the shower base fits too tight between the studs, the wall studs can be relieved/belt sanded to give the proper expansion gap.



3. DRAIN OPTIONS

No-Glue Drain:

The drain is attached to the base before the base is installed or if you do not access to the drain pipe from below. Be sure to put a bead of 100% silicone sealant between the drain flange and the base. **DO NOT USE PLUMBERS PUTTY.**

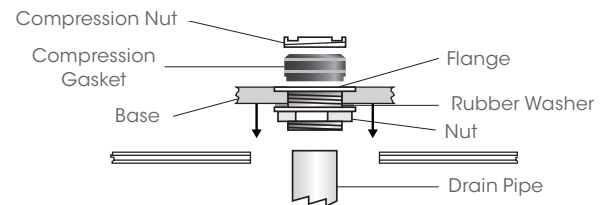
Glue-on Drain:

This drain style can be installed before or after the base is set in place. Be sure to put a bead of 100% silicone sealant between the drain flange and the base. **DO NOT USE PLUMBERS PUTTY.**

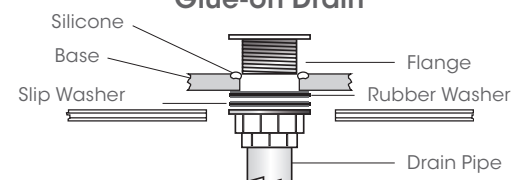
Additional Notes: When installing drain, use only 100% silicone sealant. Never use gaskets or plumbers putty on the tops side of the shower base where the drain flange seals to the base. Most 2" shower drains fit in the 4 - 1/4" drain flange recess molded into the shower floor. Confirm drain size with plumbing supplier before purchasing.

1/8" Expansion Gap 1/4" Clearance Gap

No-Glue Drain



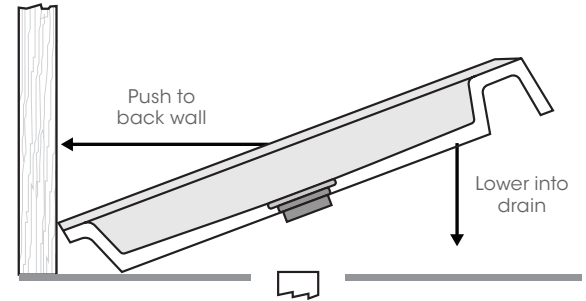
Glue-on Drain



4. SETTING THE BASE

Clean the floor, verify there is nothing sticking up from the floor surface. Lower the base into place, see drawing to right. It is important that there is an expansion gap between the base and the wall studs. 1/8" is ideal.

Additional Notes: Silicone may be used to secure the base to the floor. A small bead of silicone under the front edge of the threshold will help prevent water from getting under the base. Silicone can also be used to fill in any small uneven areas of the floor. It's very important to make sure the shower base is fully supported and level.



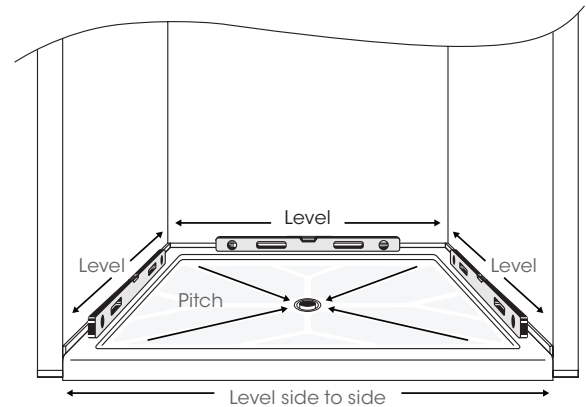
5. LEVELING THE BASE



Make sure the base is level



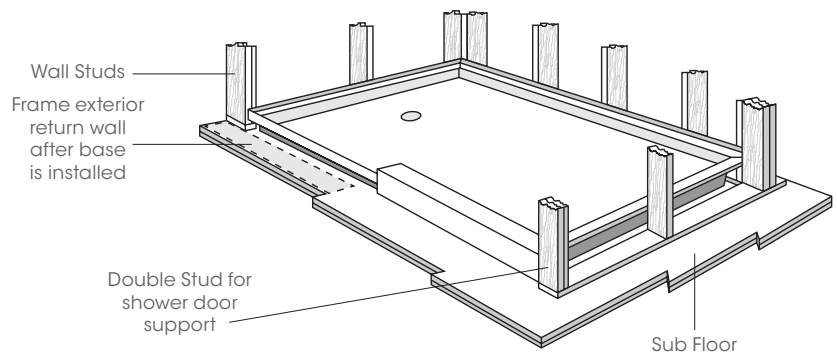
- Be sure to set level on upper deck (Standard Base), or water dam (Custom Base) - not down in the textured floor.
- Verify proper pitch to drain.



6. FRAMING FOR "WALK-IN" CUSTOM BASES

For framing "Walk-in" shower, it may be necessary to install the base before framing the return wall. When framing wall, always allow 1/8" space for expansion.

Keep in mind stud locations and wood backing for accessories such as seats, soap dishes, and grab bars. Also remember to double studs as needed for shower door mounting.



7. FINISHING AND FLOORING

Finishing Flooring:

Run tile and underlayment up to the threshold after base is completely installed. Use a flexible unsanded grout or silicone to seal joint where tile meets threshold.

Finishing Flooring Suggestions

