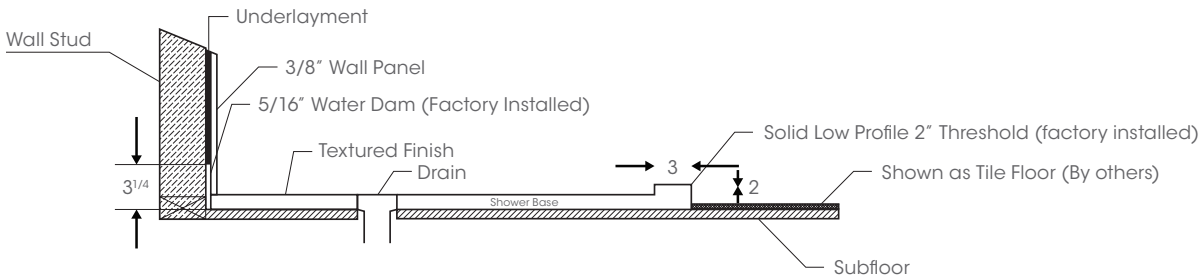


Custom Shower Bases can be designed in any length, depth, and shape (angle, notched, etc). When designing a custom shower base, you specify the number and style of thresholds. Thresholds can be regular 3" height thresholds, low profile, higher, wider, or ramped. You design it, we build it.

STANDARD

Custom Shower Base - Low Profile 2" Tall x 3" Wide Solid Threshold

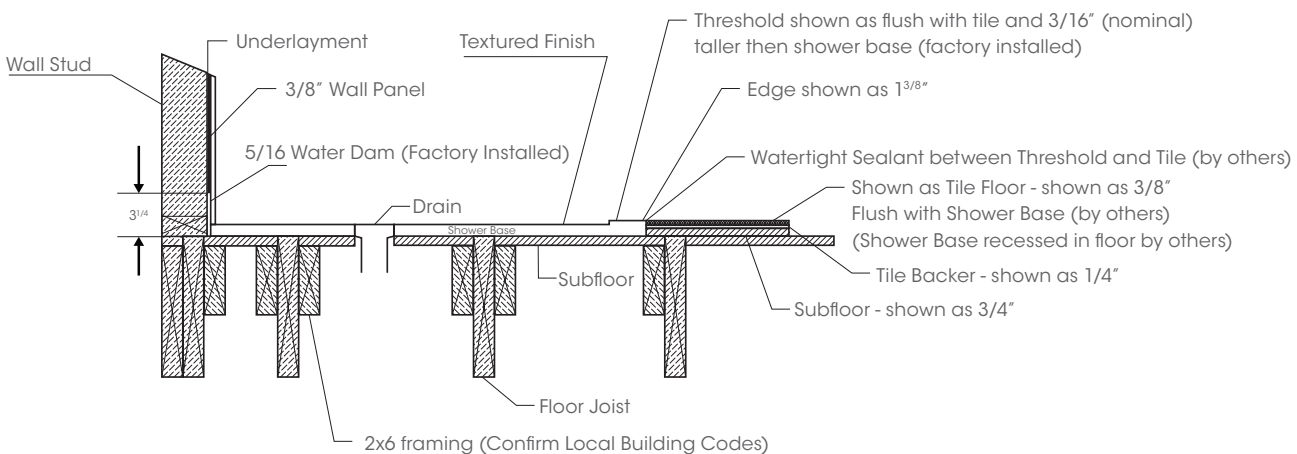
Minimum bowl placement from edge of top-12 1/2"



"FLUSH THRESHOLD"

Custom Shower Base - "Flush Threshold"

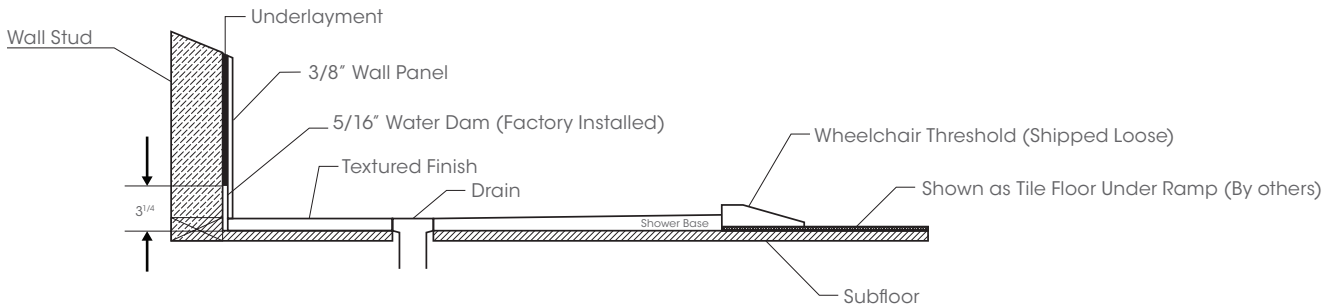
(Detail also shows a possible suggestion for recessing the custom base into the floor - Please consult engineer / local building codes for your project)



Wolf Home Products suggests to only use a "Flush Threshold" design on showers where the threshold is not directly or indirectly getting sprayed by the shower water stream. If threshold is subject to larger volumes of water, please consider a taller threshold.

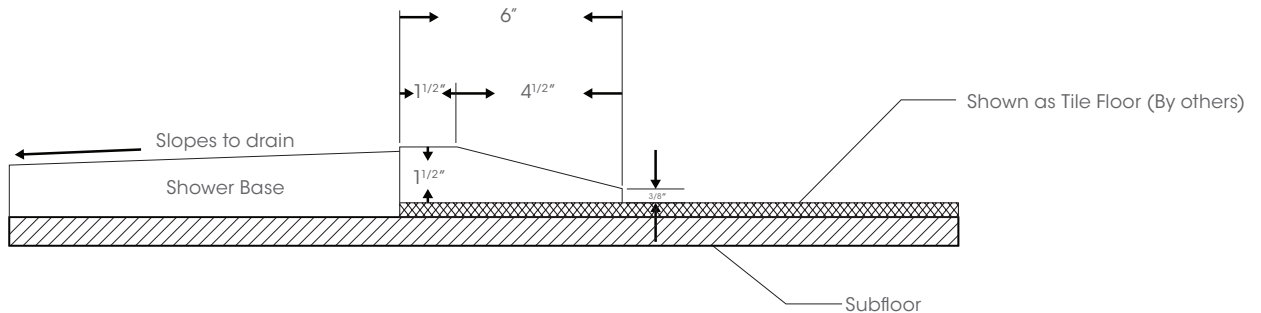
6" RAMP

Custom Shower Base - 6" Ramped Wheelchair Threshold



6" RAMP DETAIL

6" Ramped Wheelchair Threshold Detail



Shower Base thickness is typically 1" to 1 1/2" (Determined by Drain Center) Shown here as 1 1/2"

COMMON CUSTOM SHOWER SHAPES

