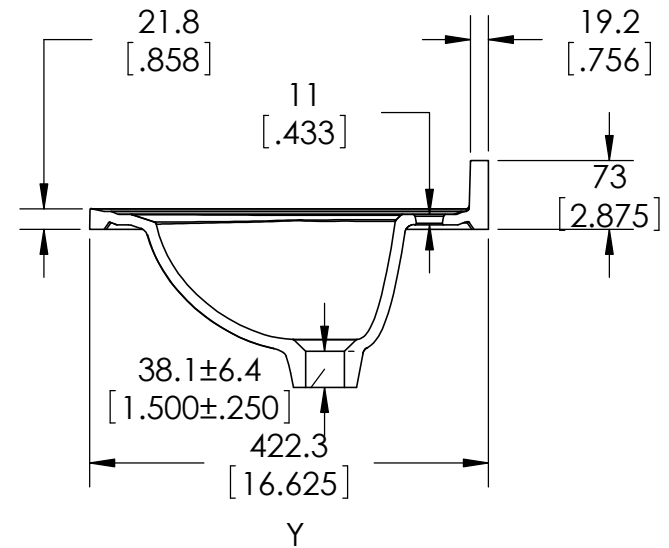
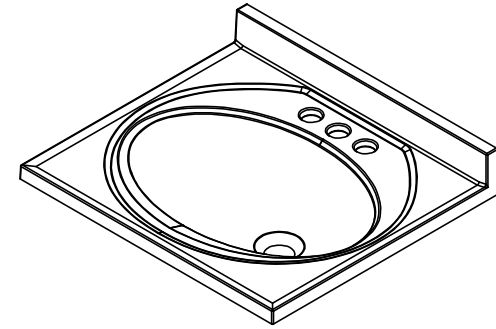
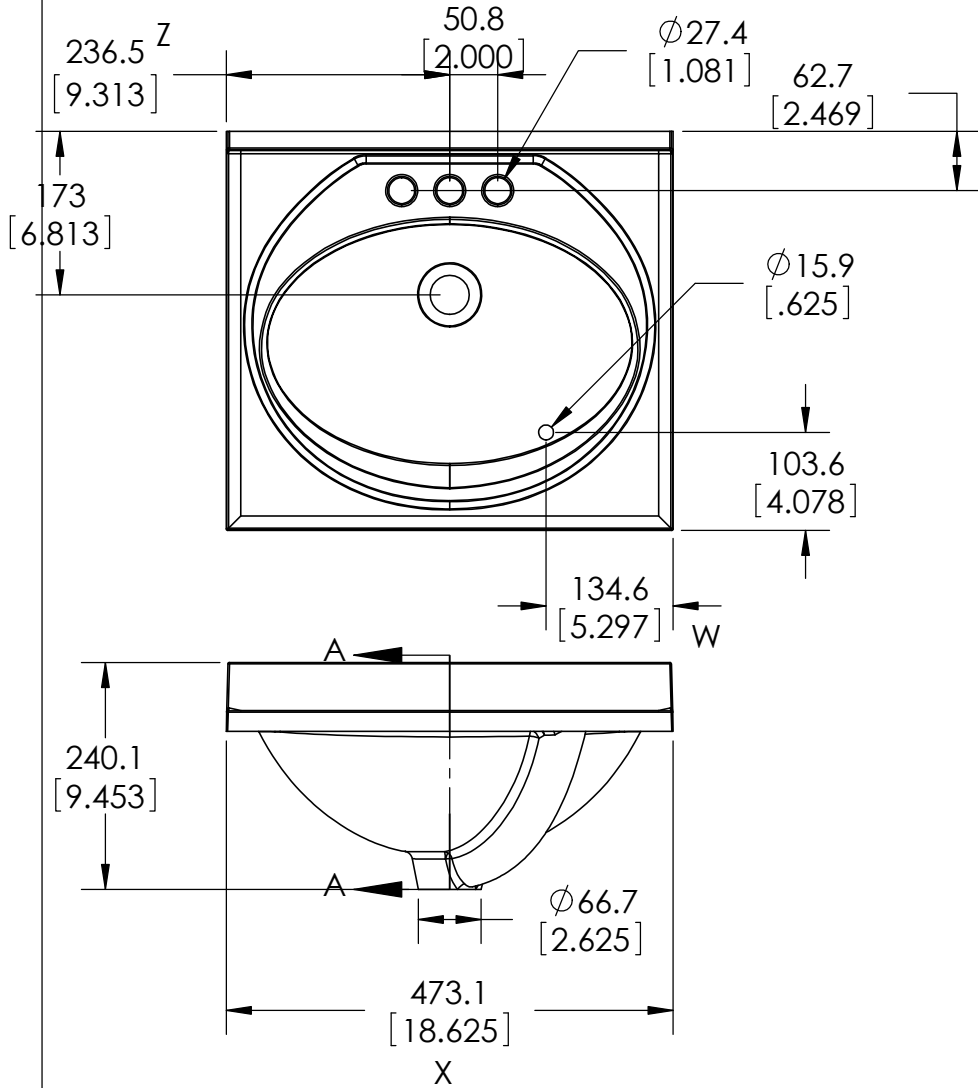


ITEM ID	ITEM DESCRIPTION
595368	SOLID / Cotton White
595369	SWIRL / Cloud White
595370	SOLID / LINEN



WOLF HOME PRODUCTS®



MODEL	W	X	Y	Z
19X17	134.6mm / 5.297in	473.1mm / 18.625in	422.3mm / 16.625in	236.5mm / 9.313in

NOTE: MAX. WARPAGE TOLERANCE 1/8"

PROPRIETARY AND CONFIDENTIAL
 THE INFORMATION CONTAINED IN THIS DRAWING IS THE SOLE PROPERTY OF WOLF HOME PRODUCTS. ANY REPRODUCTION IN PART OR AS A WHOLE WITHOUT THE WRITTEN PERMISSION OF WOLF HOME PRODUCTS IS PROHIBITED.

UNLESS OTHERWISE SPECIFIED
 DIMENSIONS ARE IN MM. AND (INCHES)
 TOLERANCES ARE
 + 3.175 [0.125] - 3.175 [0.125]
 SCALE:1:8

	NAME	DATE
DRAWN	R. CAZAREZ	SEP/02/2014
CHECKED	E. SANDOVAL	
ENG APPR.	V. SANCHEZ	
MFG APPR.	C. LEAL	

WOLF VANITY TOPS

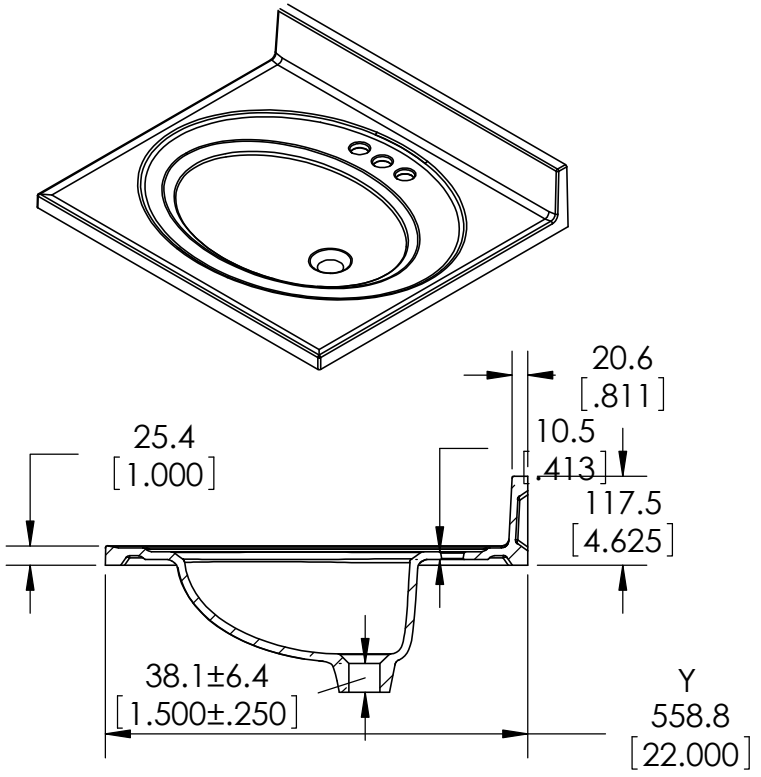
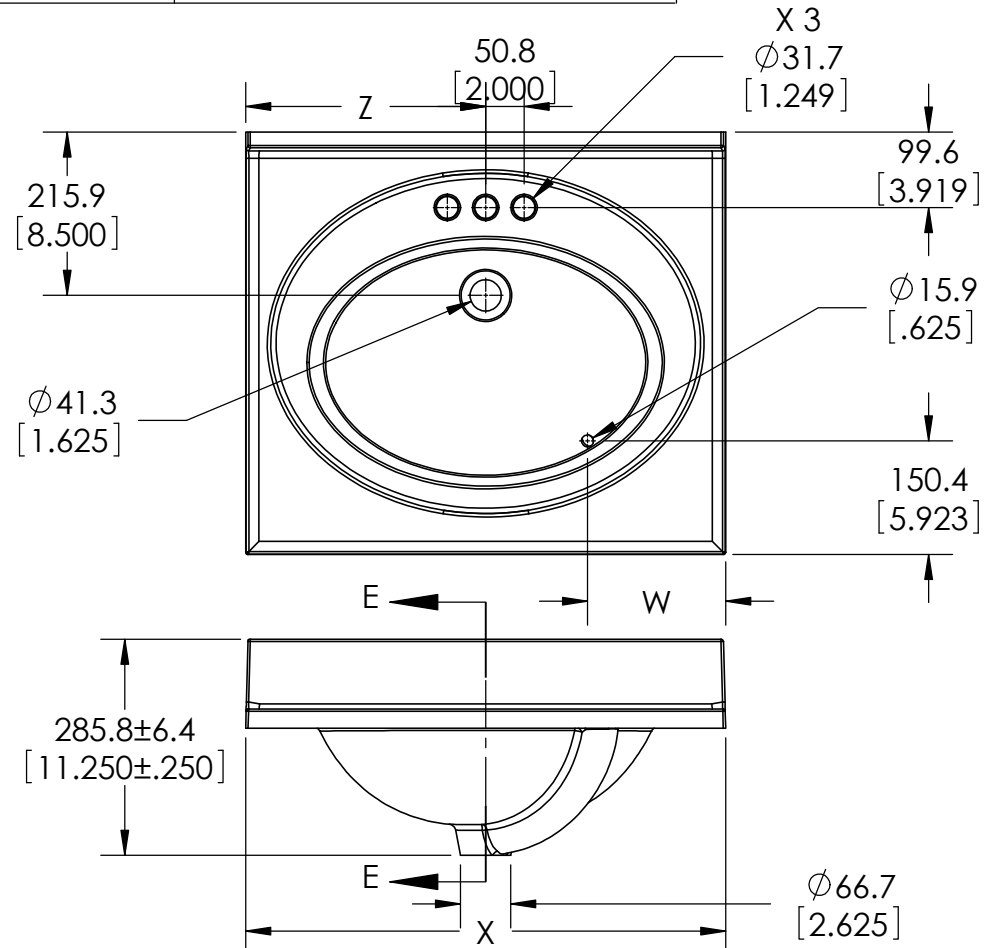
SIZE	DWG. NO.	SHEET 1 OF 1
A		

VTOP 19 X 17 - WOLF - FG

ITEM ID	ITEM DESCRIPTION
595XXX	SOLID / SWIRL



WOLF HOME PRODUCTS®



MODEL	W	X	Y	Z
25 X 22 (595338, 595339, 595340)	182.7 mm / 7.194 in	635 mm / 25 in	539 mm / 22 in	317.5 mm / 12.5 in
31 X 22 (595341, 595342, 595343)	258.9 mm / 10.194 in	787.4 mm / 31 in	539 mm / 25 in	393.7 mm / 15.5 in
37 X 22 (595344, 595345, 595346)	335.1 mm / 13.194 in	939.8 mm / 37 in	539 mm / 25 in	469.9 mm / 18.5 in
43 X 22 (595347, 595348, 595349)	411.3 mm / 16.194 in	1092.2 mm / 43 in	539 mm / 25 in	546.1 mm / 21.5 in
49 X 22 (595350, 595351, 595352)	487.5 mm / 19.194 in	1244.6 mm / 49 in	539 mm / 25 in	622.3 mm / 24.5 in
61 X 22 (595353, 595354, 595355)	639.9 mm / 25.194 in	1549.4 mm / 61 in	539 mm / 25 in	774.7 mm / 30.5 in

NOTE: MAX. WARPAGE TOLERANCE 1/8"

PROPRIETARY AND CONFIDENTIAL
 THE INFORMATION CONTAINED IN THIS DRAWING IS THE SOLE PROPERTY OF WOLF HOME PRODUCTS. ANY REPRODUCTION IN PART OR AS A WHOLE WITHOUT THE WRITTEN PERMISSION OF WOLF HOME PRODUCTS IS PROHIBITED.

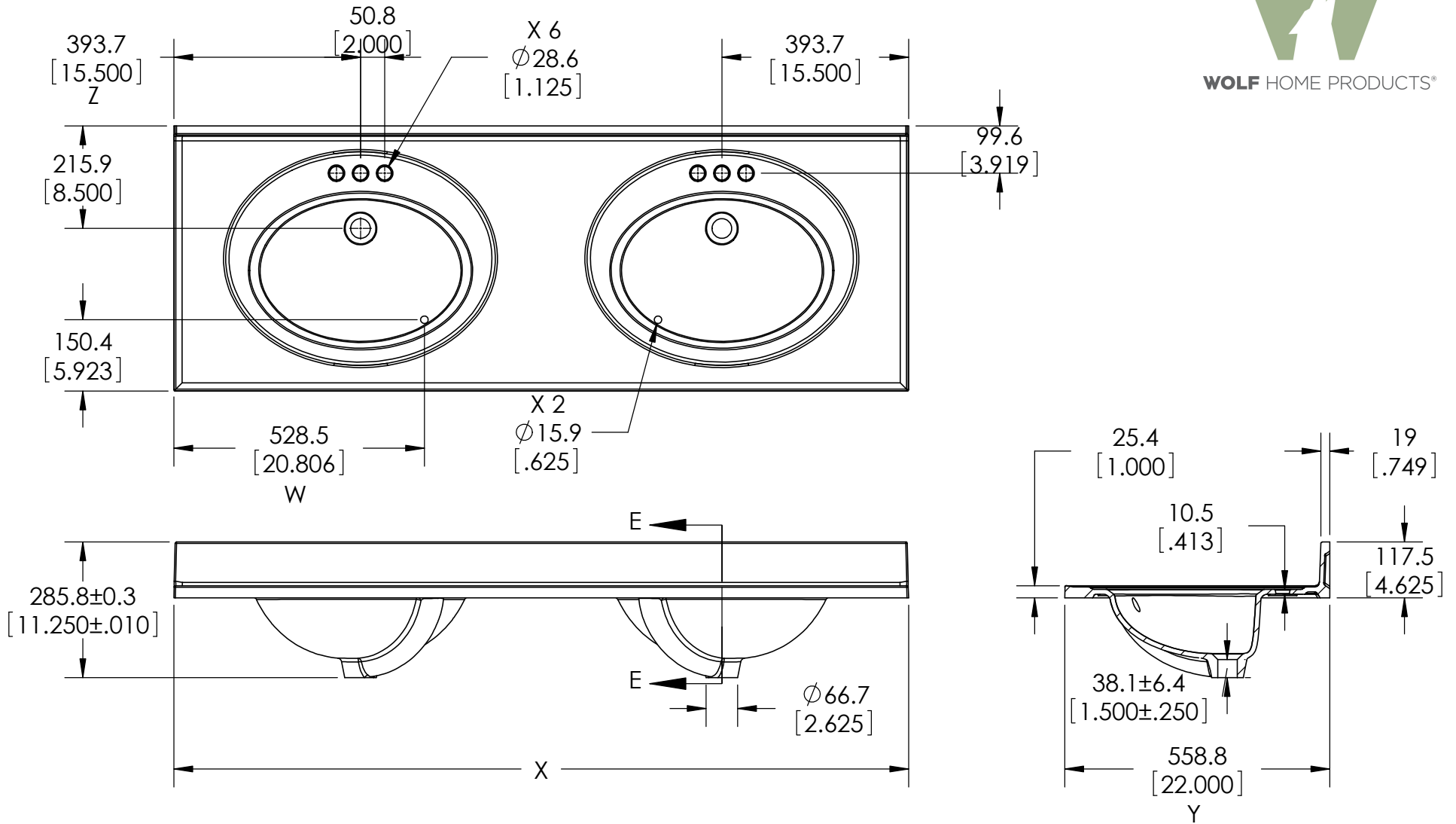
UNLESS OTHERWISE SPECIFIED
 DIMENSIONS ARE IN MM. AND (INCHES)
 TOLERANCES ARE
 + 3.175 [.125] - 3.175 [0.125]
 SCALE: 1:10

	NAME	DATE
DRAWN	R. CAZAREZ	JUL/16/2014
CHECKED	E. SANDOVAL	
ENG APPR.	V. SANCHEZ	
MFG APPR.	C. LEAL	

WOLF VANITY TOPS

SIZE DWG. NO. **A** VTOP - 25, 31, 37, 43, 49 AND 61 X 22 - WOLF - FG SHEET 1 OF 2

ITEM ID	ITEM DESCRIPTION
595XXX	SOLID / SWIRL



MODEL	W	X	Y	Z
61 X 22 - 15.500 (595349,595360,595361)	528.5 mm / 20.806 in	1549.4 mm / 61.000 in	558.8 mm / 22 in	393.7 mm / 15.5 in
73 X 22 - 15.500 (595365,595366,595367)	528.5 mm / 20.806 in	1854.2 mm / 73.000 in	558.8 mm / 22 in	397.7 mm / 15.5 in

NOTE: MAX. WARPAGE TOLERANCE 1/8"

PROPRIETARY AND CONFIDENTIAL
 THE INFORMATION CONTAINED IN THIS DRAWING IS THE SOLE PROPERTY OF WOLF HOME PRODUCTS. ANY REPRODUCTION IN PART OR AS A WHOLE WITHOUT THE WRITTEN PERMISSION OF WOLF HOME PRODUCTS IS PROHIBITED.

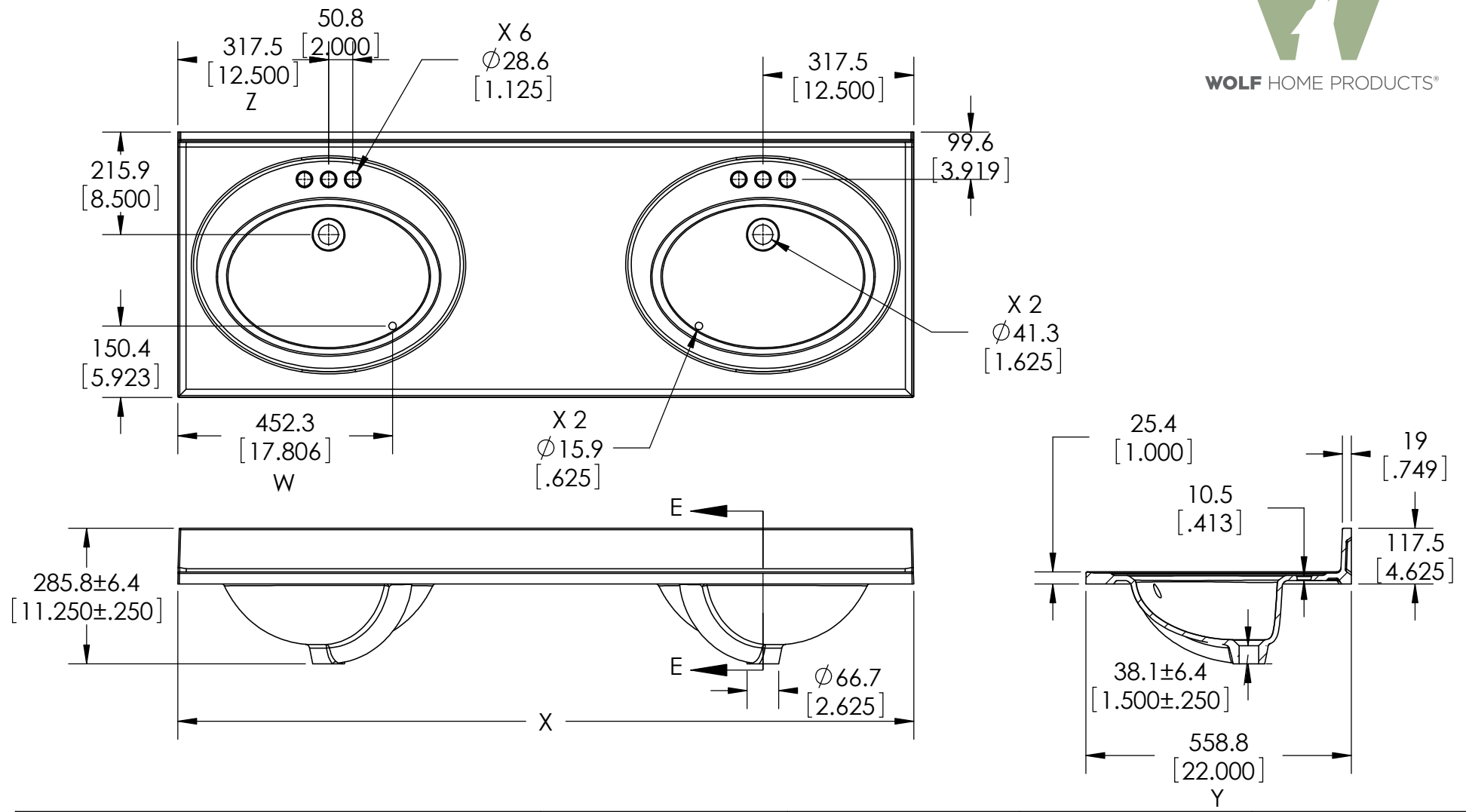
UNLESS OTHERWISE SPECIFIED
 DIMENSIONS ARE IN MM. AND (INCHES)
 TOLERANCES ARE
 + 3.175 [.125] - 3.175 [0.125]
 SCALE:1:12

	NAME	DATE
DRAWN	R. CAZAREZ	SEP/02/2014
CHECKED	E. SANDOVAL	
ENG APPR.	V. SANCHEZ	
MFG APPR.	C. LEAL	

WOLF VANITY TOPS

SIZE	DWG. NO.	SHEET 1 OF 1
A	VTOP 61 & 73 X 22 - DOUBLE - 15.500 - WOLF - FG	

ITEM ID	ITEM DESCRIPTION
595XXX	SOLID / SWIRL



MODEL	W	X	Y	Z
61 X 22 - 12.500 (595356,595357,595358)	452.3 mm / 17.806 in	1549.4 mm / 61.000 in	558.8 mm / 22 in	317.5 mm / 12.5 in
73 X 22 - 12.500 (595362,595363,595364)	452 mm / 17.806 in	1854.2 mm / 73.000 in	558.8 mm / 22 in	317.5 mm / 12.5 in

NOTE: MAX. WARPAGE TOLERANCE 1/8"

PROPRIETARY AND CONFIDENTIAL
 THE INFORMATION CONTAINED IN THIS DRAWING IS THE SOLE PROPERTY OF WOLF HOME PRODUCTS. ANY REPRODUCTION IN PART OR AS A WHOLE WITHOUT THE WRITTEN PERMISSION OF WOLF HOME PRODUCTS IS PROHIBITED.

UNLESS OTHERWISE SPECIFIED
 DIMENSIONS ARE IN MM. AND (INCHES)
 TOLERANCES ARE
 + 3.175 [.125] - 3.175 [0.125]
 SCALE:1:12

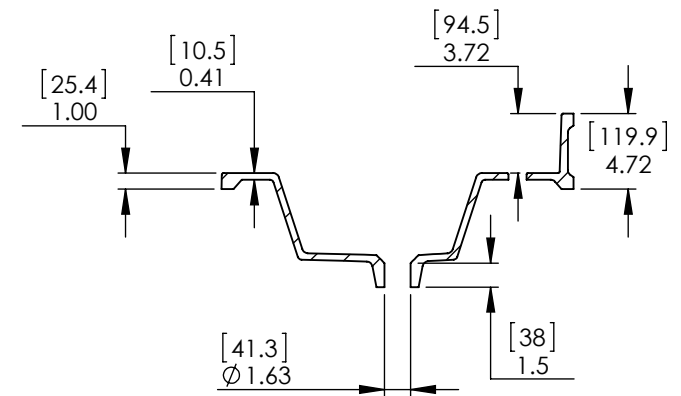
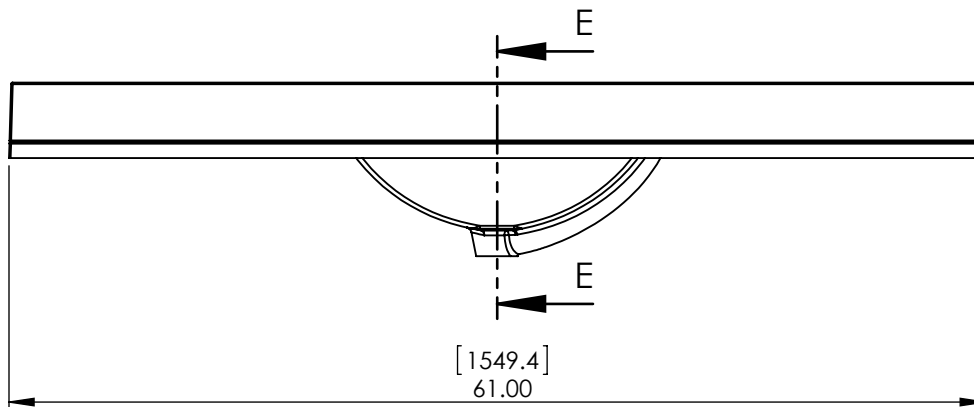
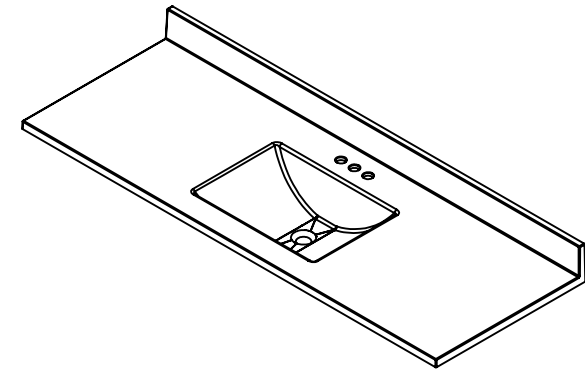
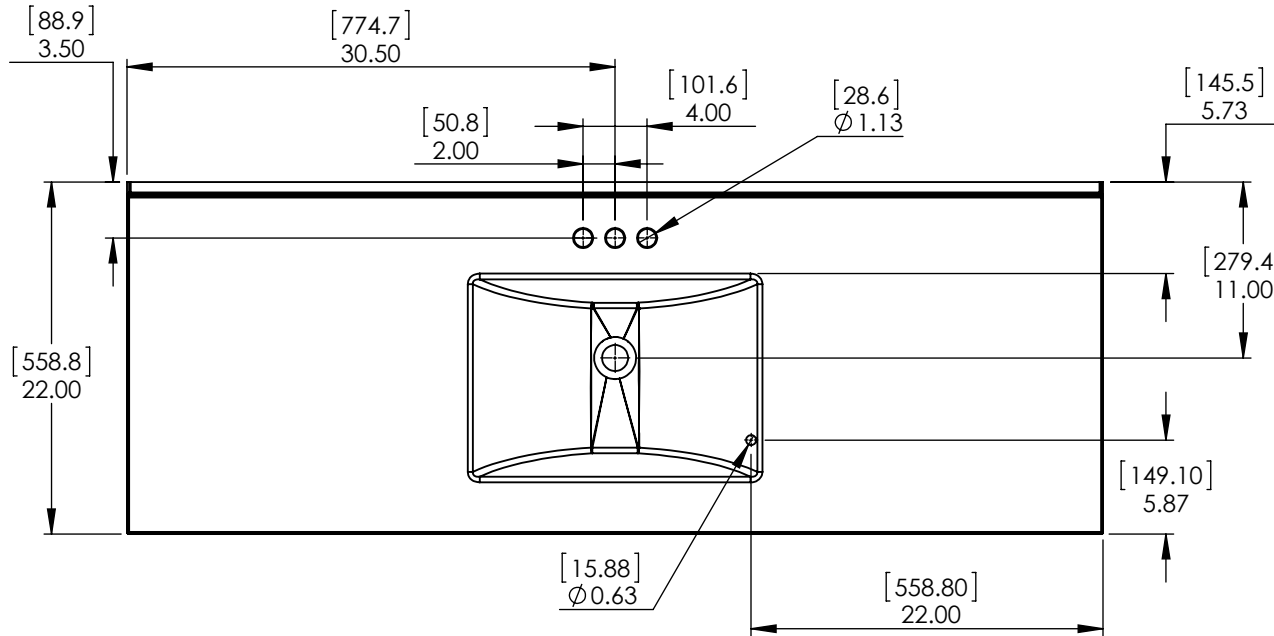
	NAME	DATE
DRAWN	R. CAZAREZ	SEP/02/2014
CHECKED	E. SANDOVAL	
ENG APPR.	V. SANCHEZ	
MFG APPR.	C. LEAL	

WOLF VANITY TOPS
 SIZE DWG. NO. **A** VTOP 61 & 73 X 22 - DOUBLE - 15.500 - WOLF - FG
 SHEET 1 OF 1

DRAWING TYPE	ITEM ID	ITEM DESCRIPTION	Technologies	DRAWING STATUS
Finish Good	595xxx	Wolf Rect. 61 x 22	AB Composite	Design Process



WOLF HOME PRODUCTS®



SECTION E-E

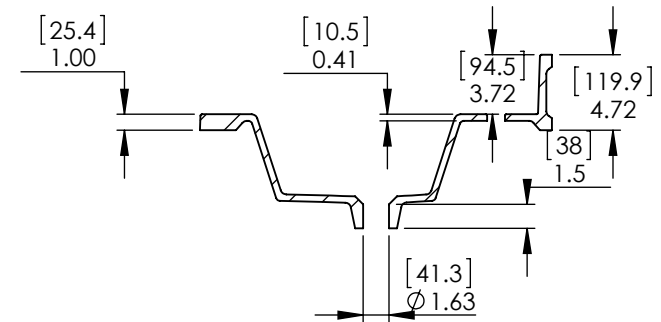
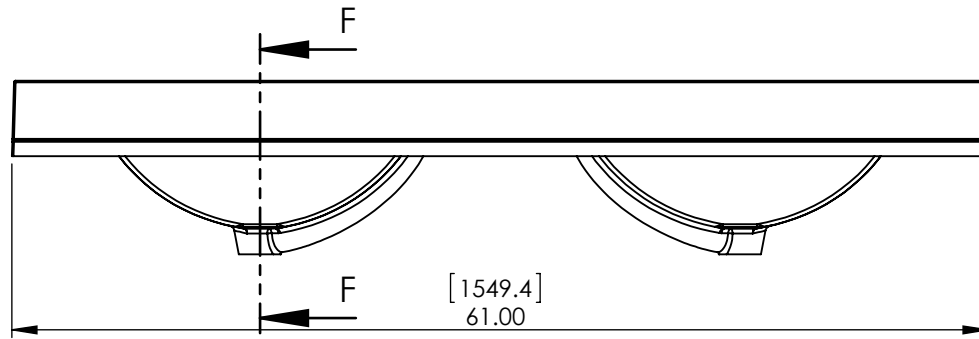
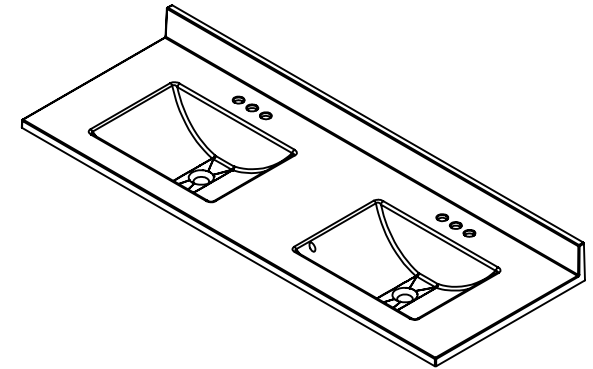
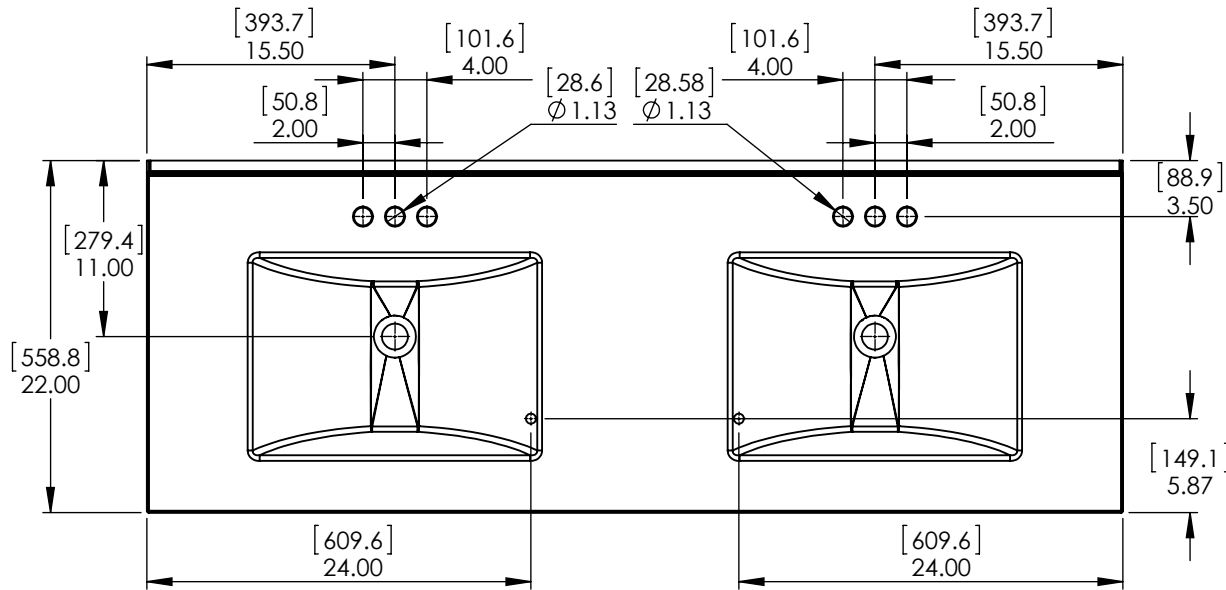
Estimated Weight: 29.2 kg

PROPRIETARY AND CONFIDENTIAL		UNLESS OTHERWISE SPECIFIED		NAME		DATE	
THE INFORMATION CONTAINED IN THIS DRAWING IS THE SOLE PROPERTY OF WOLF HOME PRODUCTS. ANY REPRODUCTION IN PART OR AS A WHOLE WITHOUT THE WRITTEN PERMISSION OF WOLF HOME PRODUCTS IS PROHIBITED.		DIMENSIONS ARE IN MM. AND (INCHES) TOLERANCES ARE +0.125 [3.175] -0.125 [-3.175] SCALE:1:10		DRAWN	E. Sandoval	3/30/15	WOLF VANITY TOPS
				CHECKED	E. Sandoval	3/30/15	
				ENG APPR.	V. Sanchez		
				MFG APPR.	C. Leal		
				SIZE	DWG. NO.	SHEET 1 OF 1	REV. 1
				A	Wolf Rect. 61 x 22 - FG		

DRAWING TYPE	ITEM ID	ITEM DESCRIPTION	Technologies	DRAWING STATUS
Finish Good	595xxx	Wolf Rect. 61 x 22 Double 15.5	AB Composite	Design Process



WOLF HOME PRODUCTS®



SECTION F-F

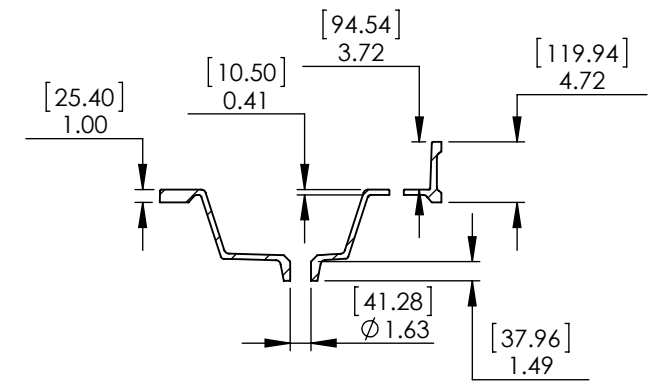
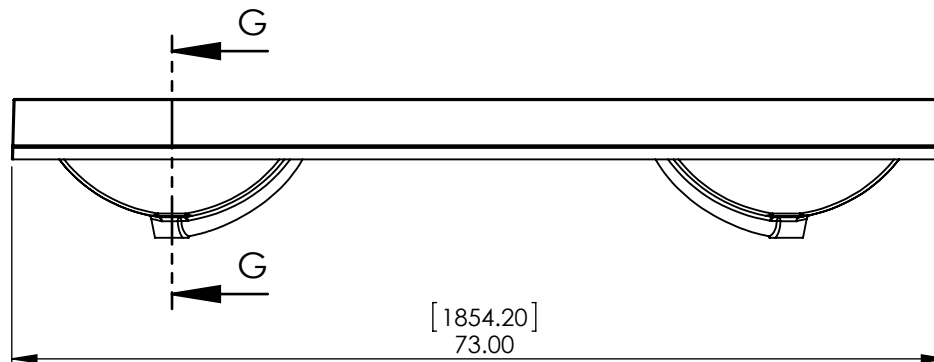
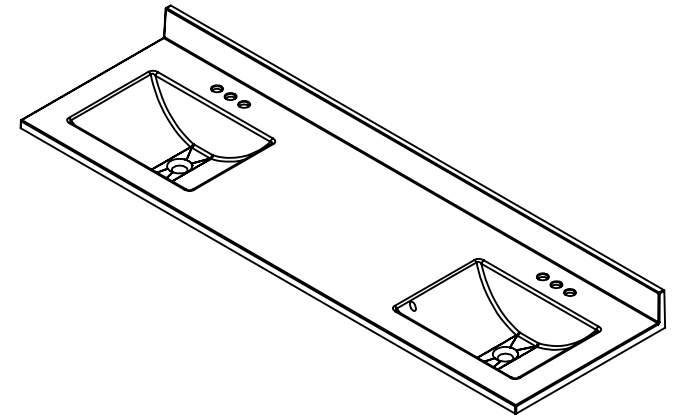
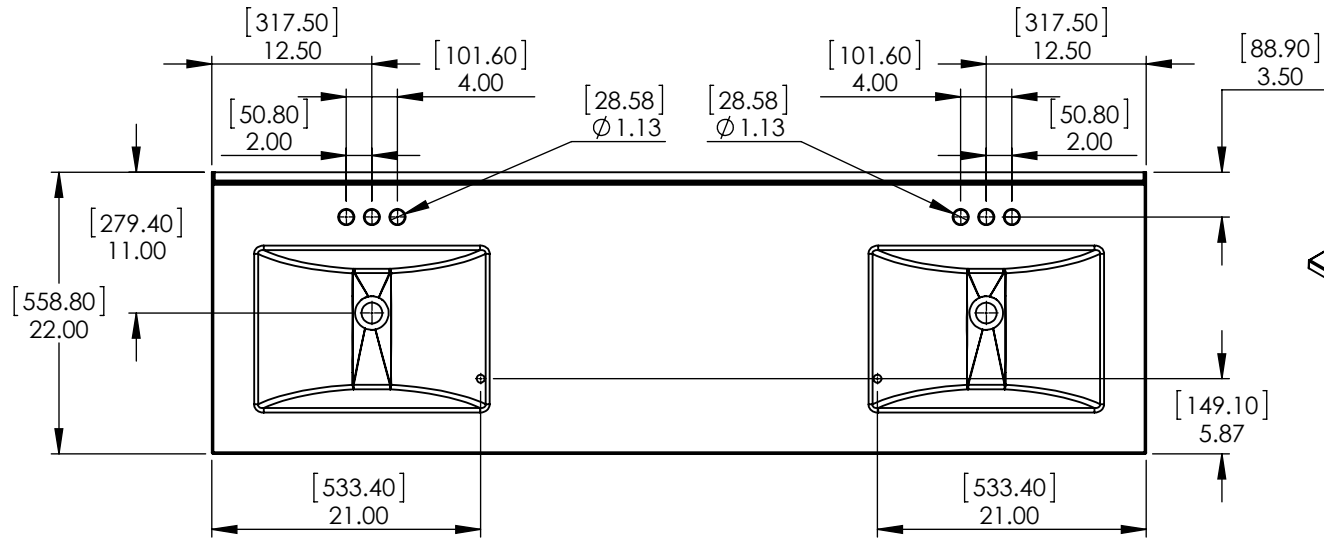
Estimated Weight: 31.7 kg

PROPRIETARY AND CONFIDENTIAL		UNLESS OTHERWISE SPECIFIED		NAME		DATE	
THE INFORMATION CONTAINED IN THIS DRAWING IS THE SOLE PROPERTY OF WOLF HOME PRODUCTS. ANY REPRODUCTION IN PART OR AS A WHOLE WITHOUT THE WRITTEN PERMISSION OF WOLF HOME PRODUCTS IS PROHIBITED.		DIMENSIONS ARE IN MM. AND (INCHES)		DRAWN	E. Sandoval	3/30/15	
		TOLERANCES ARE +0.125 [3.175] -0.125 [-3.175]		CHECKED	E. Sandoval	3/30/15	
		SCALE:1:10		ENG APPR.	V. Sanchez		
				MFG APPR.	C. Leal		
						WOLF VANITY TOPS	
						SIZE	DWG. NO.
						A	Wolf Rect. 61 x 22 Double 15.5 - FG
						SHEET 1 OF 1	
						REV. 1	

DRAWING TYPE	ITEM ID	ITEM DESCRIPTION	Technologies	DRAWING STATUS
Finish Good	595xxx	Wolf Rect. 73 x 22 Double 12.5	AB Composite	Design Process



WOLF HOME PRODUCTS®



SECTION G-G

Estimated Weight: 37.1 kg

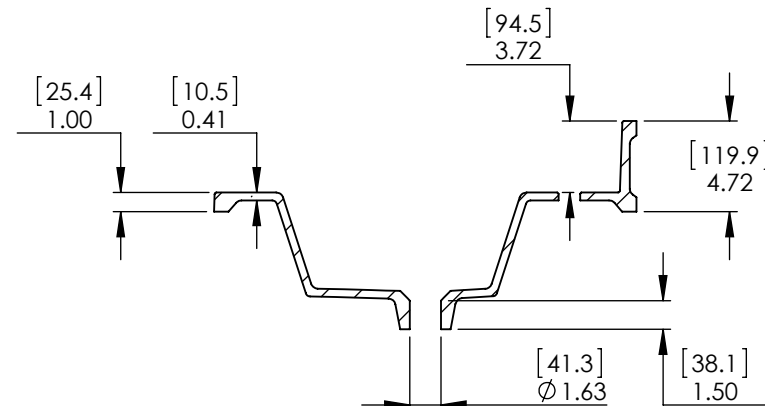
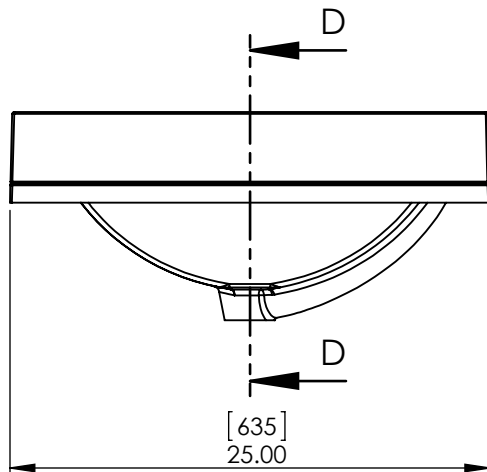
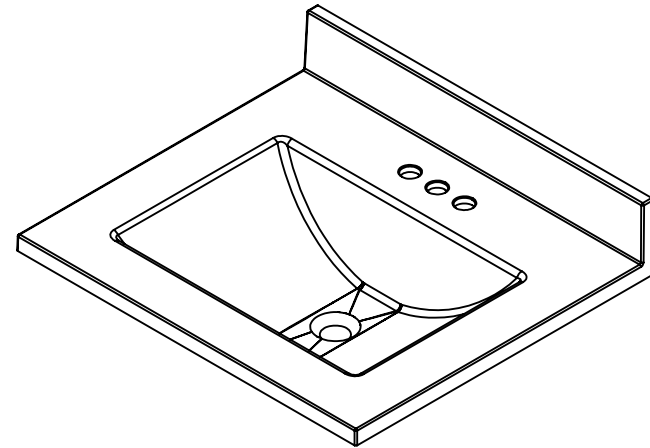
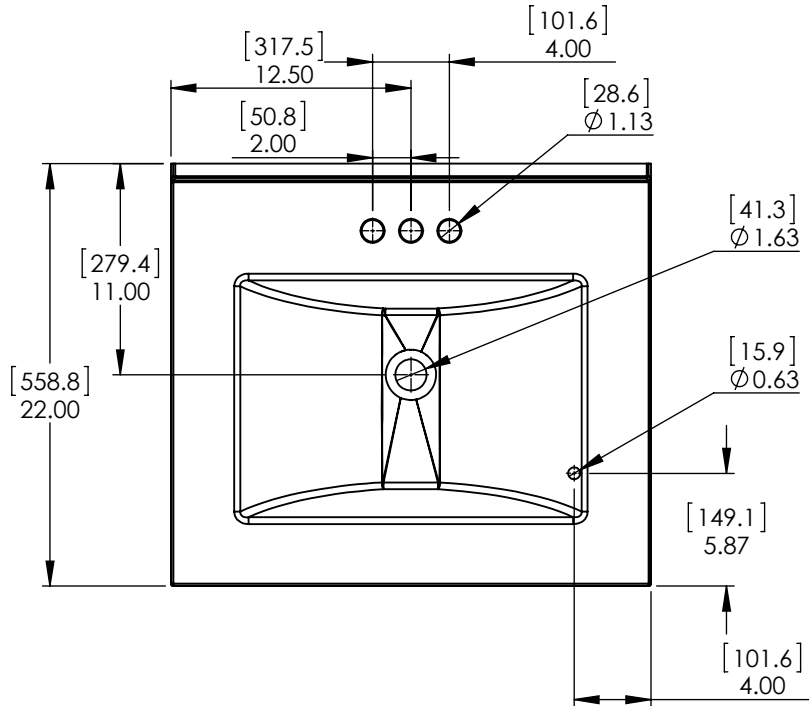
PROPRIETARY AND CONFIDENTIAL		UNLESS OTHERWISE SPECIFIED		NAME		DATE	
THE INFORMATION CONTAINED IN THIS DRAWING IS THE SOLE PROPERTY OF WOODCRAFTERS. ANY REPRODUCTION IN PART OR AS A WHOLE WITHOUT THE WRITTEN PERMISSION OF WOLF HOME PRODUCTS IS PROHIBITED.		DIMENSIONS ARE IN MM. AND (INCHES)		DRAWN	E. Sandoval	3/30/15	
		TOLERANCES ARE + 0.125 [3.175] - 0.125 [-3.175]		CHECKED	E. Sandoval	3/30/15	
		SCALE: 1:10		ENG APPR.	V. Sanchez		
				MFG APPR.	C. Leal		
				SIZE DWG. NO.		SHEET 1 OF 1	
				A		Wolf Rect. 73 x 22 Double 12.5 - FG	
						REV. 1	

WOLF VANITY TOPS

DRAWING TYPE	ITEM ID	ITEM DESCRIPTION	Technologies	DRAWING STATUS
Finish Good	595xxx	Wolf Rect. 25 x 22	AB Composite	Design Process



WOLF HOME PRODUCTS®



SECTION D-D

Estimated Weight: 13.4 kg

PROPRIETARY AND CONFIDENTIAL THE INFORMATION CONTAINED IN THIS DRAWING IS THE SOLE PROPERTY OF WOLF HOME PRODUCTS. ANY REPRODUCTION IN PART OR AS A WHOLE WITHOUT THE WRITTEN PERMISSION OF WOLF HOME PRODUCTS IS PROHIBITED.	UNLESS OTHERWISE SPECIFIED	NAME	DATE	WOLF VANITY TOPS SIZE DWG. NO. SHEET 1 OF 1 A Wolf Rect. 25 x 22 - FG REV. 1
	DIMENSIONS ARE IN MM. AND (INCHES)	DRAWN	E. Sandoval 3/30/15	
	TOLERANCES ARE +0.125 [3.175] -0.125 [-3.175]	CHECKED	E. Sandoval 3/30/15	
	SCALE:1:10	ENG APPR.	V. Sanchez	
		MFG APPR.	C. Leal	