



Bath Accessories Color Chart Reference

Actual product color may slightly vary.

Classic & Solid Colors

MONTEREY Classic Colors			Complimentary Solid Colors				
White 21 (V)	Grey Stone 27 (V)	Butternut 28 (V)	White 01	*Cameo/Biscuit 02	Grey 39	Dark Grey 40	Black 09
			* Cameo matches Kohler's Biscuit				
BELAIR Solid Colors							
Pure White PW11							

Marble & Pattern Colors

LUXURA Colors				MONTEREY Marble Colors			
Misty River 181	Creme Brulee 185	Iceberg Grey 186	Bellagio 190	Carrara 47 (V)	Butterscotch 48 (V)	Creme 49 (V)	Moonstone 50 (V)
SILHOUETTE Pattern Colors							
Pearl Stone 41	Jupiter Stone 43	Tundra 44	Washed Oak 45	Linen 46			
BELAIR Pattern Colors							
Sedimentary 71	Life Tree 72	Fossil 73	Castle Grey 74	Roman Walnut 75			

BATH ACCESSORIES

new and existing construction

BATH ACCESSORIES

Bath Accessories

Shower and Bath Add-ons



Storage Pods & Caddies



Wall Trims & Moldings



Corner Seats & Shelves



Monterey Shower Caddy



Shower Seats



Grab Bars



TYLER Series



MANHATTAN Series



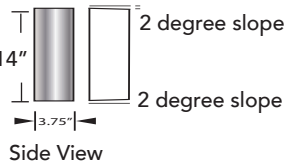
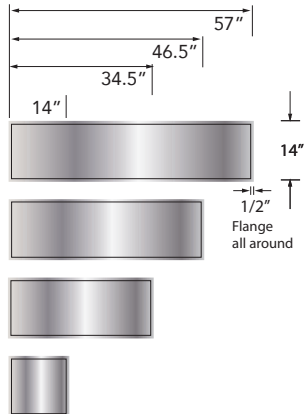
COLTON Series

Accessories

Decorative styles in contemporary, transitional and traditional series. Brushed Stainless, Polished Chrome, Matte Black & Champagne Bronze finishes

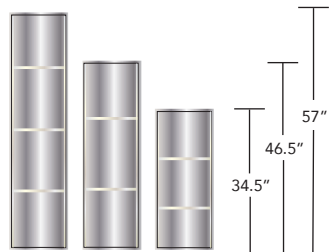
Horizontal Storage Pods

Horizontal Pods are designed to run the entire length of the shower in 60", 48" or 36" sizes



Vertical Storage Pods

Vertical Pods are designed to run between stud walls.



Lighted Storage Pod
SMSTHL1414-BS43B with DC
Powered Light

STORAGE PODS



Horizontal
SMSTH4614-BS



Vertical
SMSTV3414-BS



Vertical
SMSTV4614-BS48VB

Storage Pods are a beautiful and easy to install addition to Samuel Mueller solid surface or aluminum walls. Storage pods can be used horizontally or vertically and installed between studs when installed vertically. Add solid surface or aluminum material to the back walls of storage pods to either match or coordinate with wall colors. All pods have a 1/2" stainless steel frame surrounding the pod for a clean finished look.

Horizontal and vertical pods are available in 3 finishes: (BS) brushed stainless, PVD finishes (CB), Powder Coated finishes.

PVD Finishes	Powder Coated	
Champagne Bronze (CB)	Matte Black (MB)	Copper Metallic (CM)
	White (WH)	Antique Silver (AS)
	Grey (GR)	Coffee (CO)
	Cameo (CA)	Sea Foam (SF)
		Venetian Copper (VC)

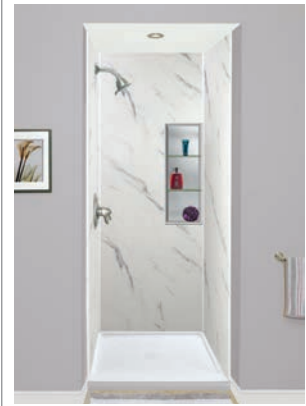
Available Size:

Horizontal	Vertical	Dimensions
SMSTH5714	SMSTV5714 - 3 shelves	57" x 14" x 3-3/4"
SMSTH4614	SMSTV4614 - 2 shelves	46-1/2" x 14" x 3-3/4"
SMSTH3414	SMSTV3414 - 2 shelves	34-1/2" x 14" x 3-3/4"
SMSTH1414		14" x 14" x 3-3/4"

To add solid surface or aluminum material to the back walls, select the pod with the choice of the finish color and the solid surface or aluminum color no., then add "B" for back wall. EX: if Monterey tile pattern is selected for back wall, order SMSTV5714-CB47B. This kit includes a 57" x 14" champagne bronze vertical storage pod (SMSTV5714-CB) and back panel in tile pattern Carrara color (SMSPBPV5714-47). The storage pod and back panel can be ordered separately.

Vertical Storage Pods include 3/8" tempered glass fixed shelves with locking clips. Shelves are cut with 1/4" clearance to allow water to run behind the shelves.

LED Lighted Pods have a light strip at the top of the pod. Pods are Direct Current (DC) lighted which includes transformer and driver with an 8 ft. cord with illumination of lights triggered from a motion sensor built into the storage pod.



SMSTV3414-BS

Horizontal Pods are designed to run the entire length of the shower in 60", 48" or 36" sizes



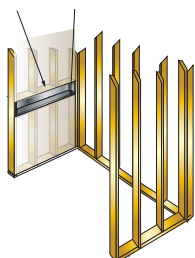
SMSTH5714-BS

Vertical Pods are designed to run between stud walls.



SMSTV5714-BS43B

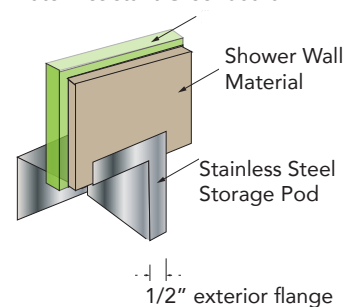
Horizontal Storage Pod
Install Header Top & Bottom



Vertical Storage Pod
Install with a Header Top & Bottom



Storage Pod detail
Water Resistant Greenboard





Vertical SMSTV3414-MB

STORAGE PODS

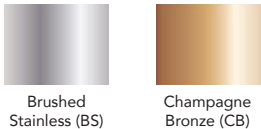
Model No.	Pod Only				Add for Lights	Add for Material
	Brushed Stainless (BS)	PVD Finishes (CB)	Powder Coated	Powder Coated with Accent Color	DC Power (L)	Back Wall (B)
STORAGE PODS - HORIZONTAL						
SMSTH1414-						
SMSTH3414-						
SMSTH4614-						
SMSTH5714-						
STORAGE PODS - VERTICAL						
SMSTV3414-						
SMSTV4614-						
SMSTV5714-						

***STORAGE POD BACK WALL PANEL**

Model No.		Size	Ship Wt. (lbs)
Horizontal Pods	Vertical Pods		
SMSPBPH1414-		14"x14"	5
SMSPBPH3414-	SMSBPBV3414-	34"x14"	12
SMSPBPH4614-	SMSBPBV4614-	46"x14"	16
SMSPBPH5714-	SMSBPBV5714-	57"x14"	21

***To order the storage pod back wall panel separately, use the panel model no. with the color code.**
Note: Panels not available in Gali Wave walls or in Pioneer walls. SMSPBPH5714 only are not available in Trinity colors.

METAL COLORS



CLASSIC MATTE POWDER COLORS



ACCENT POWDER COLORS



SMWSV1639

SMWSV1627

SMC STORAGE CADDIES

SPECIFICATIONS

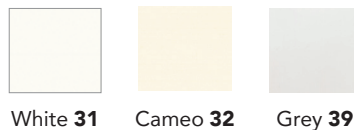
SMWSV1627 L16" x W3-1/2" x H27"

SMWSV1639 L16" x W3-1/2" x H39"

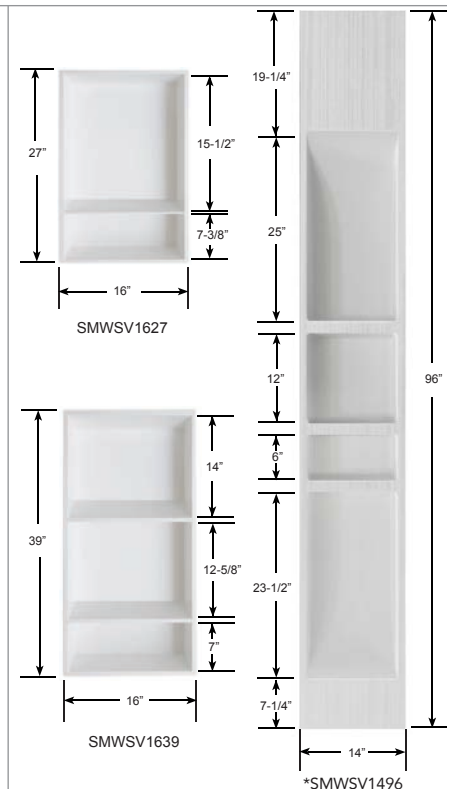
SMWSV1496 L14" x W3-1/2" x H96"

Vertical Storage Caddies provide convenient storage solutions for soaps, shampoos and accessories. One-piece construction.

*SMWSV1496 models have a textured finish on the flat edges of the caddy while the interior of the caddy has a smooth finish. Available in White 31, Cameo 32, Grey 39



Model No.	Description	Ship Wt. (lbs)
SMWSV1627-	2 Shelves	10
SMWSV1639-	3 Shelves	14
SMWSV1496-	3 Shelves	30





SMC STORAGE CADDIES NEW

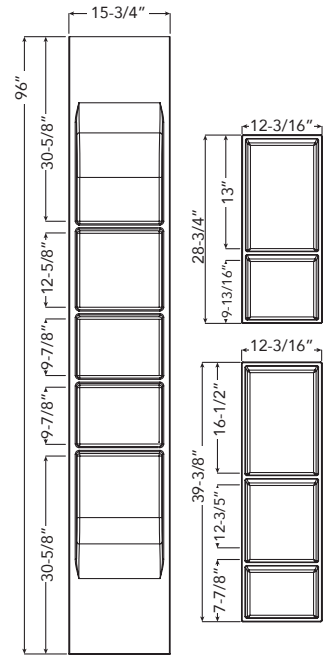
SPECIFICATIONS

SMWSC1229	L12-3/16" x W3-7/8" x H28-3/4"
SMWSC1239	L12-3/16" x W3-7/8" x H39-3/8"
SMWSC1696	L15-3/4" x W3-7/8" x H96"

Vertical Storage Caddies provide convenient storage solutions for soaps, shampoos, and accessories. Recessed installation. Lightweight, one-piece construction. SMC material. Smooth gloss finish. Available in White 31, Cameo 32, Grey 39



Model No.	Description	Ship Wt. (lbs)
SMWSC1229-	2 Shelves	6.62
SMWSC1239-	3 Shelves	8.38
SMWSC1696-	3 Shelves	23.17



Available 2nd Quarter 2026

Horizontal Deco Strip SMDSHK-

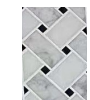


Hexagon Off-White (HO)

Vertical Deco Strip SMDSVK-



Hexagon Off-White (HO)



Weaver White (WW)



Linear Creme (LC)

SHOWER WALL DECO STRIPS

SPECIFICATIONS

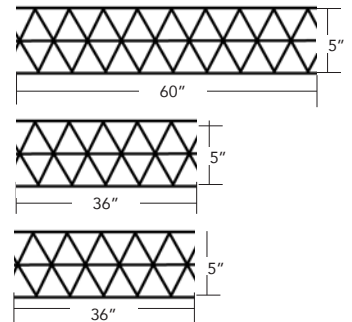
Deco strips add character to the shower. Aluminum backer makes installation easy. SMDSHK- Horizontal Deco Kit includes (1) W60" x H5" and (2) W36" x H5" pieces; 1/4" thick. Available in 1 pattern: Hexagon Off-White (HO)

SMDSVK- Vertical Deco Strip includes (1) W6" x H60" and (1) W6" x H36" pieces; 5/32" thick. Available in 3 patterns: Weaver White (WW), Hexagon Off-White (HO), Linear Creme (LC)

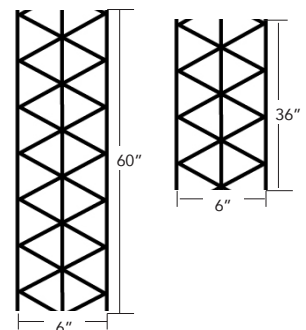
***Limited quantities available**

Model No.	Description	Ship Wt. (lbs)
*SMDSHK-	Horizontal Deco Strip Kit	40
*SMDSVK-	Vertical Deco Strip Kit	30

Horizontal Deco Strip SMDSHK-



Vertical Deco Strip SMDSVK-



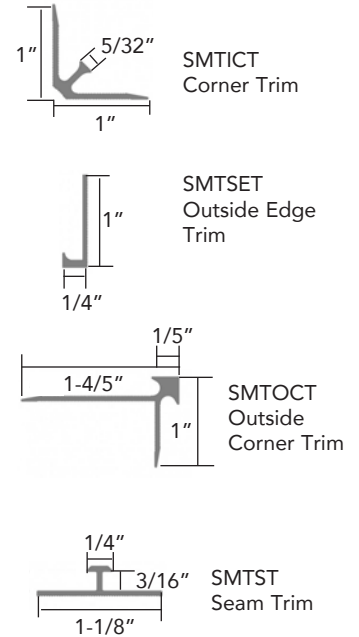
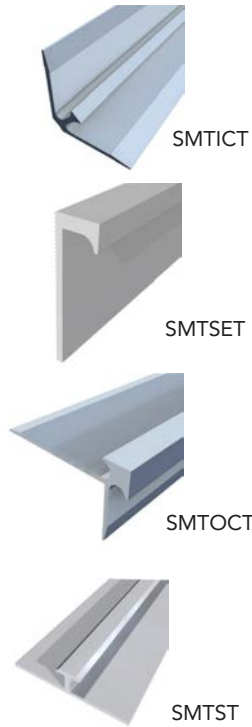
4mm Trinity COLORED ALUMINUM TRIM NEW

SPECIFICATIONS

SMTICT962 - (2) Inside Corner Trim pieces.
 SMTICT9610 - (10) Inside Corner Trim pieces.
 SMTSET962 - (2) Square Edge Trim pieces.
 SMTSET9610 - (10) Square Edge Trim pieces.
 SMTST965 - (5) Seam Trim pieces.
 SMTOCT962 - (2) Outside Corner Trim
 SMTTK964 - (2) Inside Corner Trims and (2) Outside Edge Trims
 SMTTK965 includes (2) Inside Corner Trims, (2) Outside Edge Trims and (1) Seam Trim.

Available in Brushed Aluminum trim (00) and Powder Coated White (01), Cameo (32), Grey (39) and Black (09)

Model No.	Description	Ship Wt. (lbs)
SMTICT962-	96"L Inside Corner (2)	8
SMTICT9610-	96"L Inside Corner (10)	20
SMTSET962-	96"L Square Edge (2)	8
SMTSET9610-	96"L Square Edge (10)	20
SMTST965-	96"L Seam Trim (5)	10
SMTOCT962-	96"L Outside Corner Trim	4
SMTTK964-	96" L Trim Kit (4pcs)	7.5
SMTTK965-	96"L Trim Kit (5pcs)	10



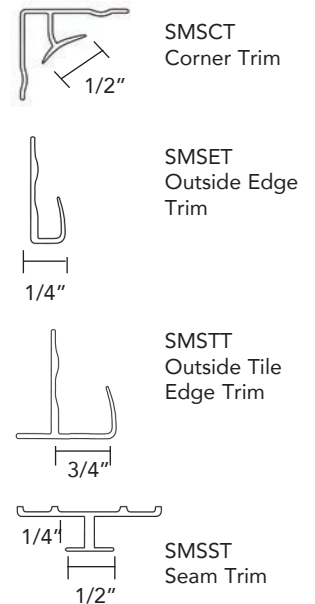
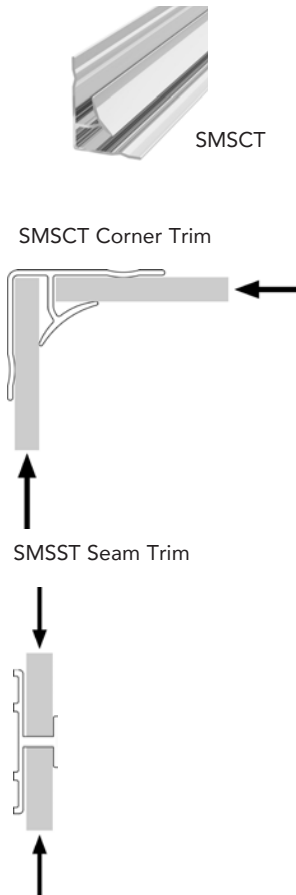
5mm Silhouette COLORED ALUMINUM TRIM

SPECIFICATIONS

SMSCT Corner Trim Kit includes 2 pieces
 SMSET Outside Edge Trim Kit includes 2 pieces
 SMSTT Outside Tile Edge Trim Kit includes 2 pieces
 SMSST Seam Trim Kit includes 2 pieces
 SMSCT/SMSET Corner Trim (2 pcs.) & Outside Edge Trim (2 pcs.)
 Aluminum trim. Available in 31 White, 32 Cameo/Biscuit, 39 Grey.
Color-coordinated for use with 5mm SILHOUETTE wall panels only.

White Trim - White, Pearl Stone
 Cameo/Biscuit Trim - Cameo/Biscuit, Washed Oak, Linen, Jupiter Stone
 Grey Trim - Grey, Tundra

Model No.	Description	Ship Wt. (lbs)
SMSCT722-	72"L Corner Trim Kit	3.0
SMSCT962-	96"L Corner Trim Kit	4.0
SMSET722-	72"L Outside Edge Trim	2.6
SMSET962-	96"L Outside Edge Trim	3.5
SMSTT722-	72"L Tile Edge Trim Kit	2.6
SMSTT962-	96"L Tile Edge Trim Kit	3.5
SMSST722-	72"L Seam Trim Kit	2.4
SMSST962-	96"L Seam Trim Kit	3.2
SMSCT/SMSET722-	72"L Corner/Edge Trim Kit	5.6
SMSCT/SMSET962-	96"L Corner/Edge Trim Kit	7.5



6mm Monterey & Luxura COLORED PVC TRIM

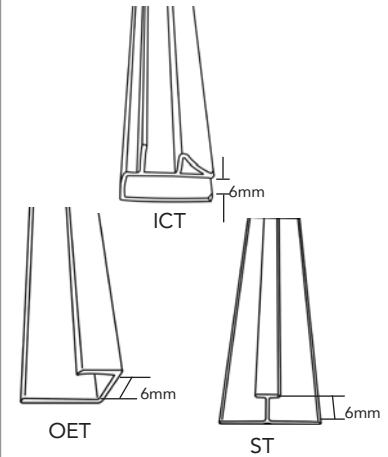
SPECIFICATIONS

SMICT Inside Corner Trim Kit includes 2 pieces
SMOET Outside Edge Trim Kit includes 2 pieces
SMST Seam Trim Kit includes 2 pieces
Available in 01 White, 32 Cameo, 39 Grey.

Color-coordinated for use with MONTEREY and LUXURA wall panels.

White Trim - White, Carrara, Misty River, Bellagio
Cameo Trim - Butterscotch, Butternut, Creme, Creme Brulee
Grey Trim - Grey Stone, Moonstone, Iceberg Grey

Model No.	Description	Ship Wt. (lbs)
SMICT6962-	6mm 96"L Inside Corner	4.0
SMOET6962-	6mm 96"L Outside Edge	3.5
SMST6962-	6mm 96"L Seam	3.2

**WALL EDGE TRIM Solid Surface**

SPECIFICATIONS

Set of two pieces.

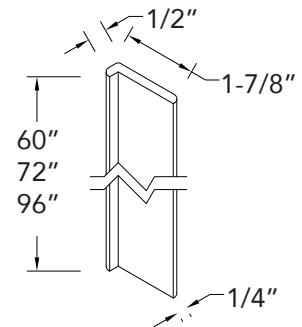
60" x 2" x 1/4" x 1/2" Finish Trim pieces fits 60" height Tub Surrounds.

72" x 2" x 1/4" x 1/2" Finish Trim pieces fits 72" height Shower Wall panels.

96" x 2" x 1/4" x 1/2" Finish Trim pieces fits 96" height Shower Wall panels.

Colors are matching Luxura, Monterey, and BelAir. Complimentary colors 01 White, 02 Cameo/Biscuit, 39 Grey, 40 Dark Grey and 09 Black are available for Silhouette, Trinity, Pioneer, and Pioneer Plus.

Model No.	Description	Ship Wt. (lbs)
SMTRIM602-	60" Trim	8
SMTRIM722-	72" Trim	9
SMTRIM962-	96" Trim	12

**PENCIL TRIM KITS Solid Surface**

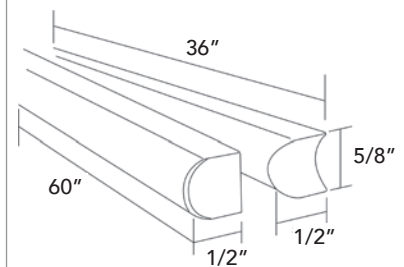
SPECIFICATIONS

60" x 36" pencil trim kits include (1) 60" x 5/8" x 1/2" piece and (2) 36" x 5/8" x 1/2" pieces.

60" x 60" pencil trim kits include (3) 60" x 5/8" x 1/2" pieces.

Trimmiable to fit any size shower. Colors are matching Luxura, Monterey, and BelAir. Complimentary colors 01 White, 02 Cameo/Biscuit, 39 Grey are available for Silhouette. 40 Dark Grey also available in 60" x 60" trim kit.

Model No.	Description	Ship Wt. (lbs)
SMPTK6036-	60"x36" Trim Kit	5
SMPTK6060-	60"x60" Trim Kit	10



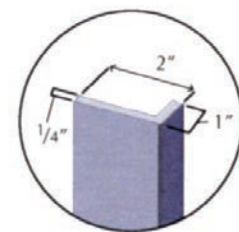
SMPTK6060-

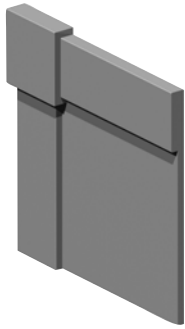
OVER-TILE TRIM Solid Surface

SPECIFICATIONS

Over-Tile Trim for use over tile. Colors are matching Luxura, Monterey, and BelAir. Complimentary colors 01 White, 02 Cameo/Biscuit, 39 Grey, 40 Dark Grey, 09 Black are available for Silhouette, Trinity, Pioneer, and Pioneer Plus. Set of 2 pieces.

Model No.	Description	Ship Wt. (lbs)
SMOTTK602-	60" Trim	4
SMOTTK722-	72" Trim	5
SMOTTK962-	96" Trim	6





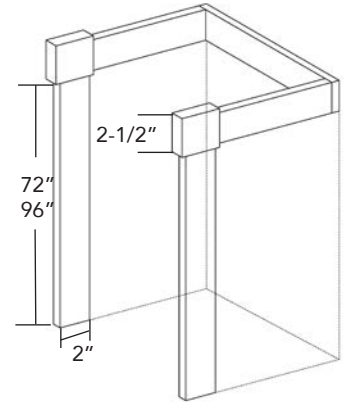
OUTSIDE WALL TRIMS KIT Solid Surface

SPECIFICATIONS

SMOWTK_6 Outside Trim Kit 6 pieces. Outside edge trim made of solid surface material. Kit includes (4) 72" x 2" or 96" x 2" pieces and (2) 2 1/2" corner blocks.

SMOWTTK_6 Outside Tile Trim Kit. Same as SMOWTK with deeper 3/4" flange to cover existing tile. Trim Colors are complimentary and available in 01 White, 02 Cameo/Biscuit, 39 Grey, 40 Dark Grey and 09 Black.

Model No.	Description	Ship Wt. (lbs)
SMOWTK726-	72"L Outside	11
SMOWTK966-	96"L Outside	13
SMOWTTK726-	72"L Outside Tile	11
SMOWTTK966-	96"L Outside Tile	13



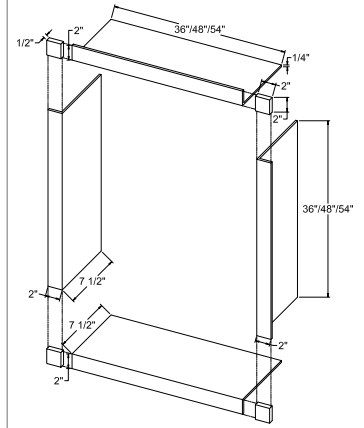
WINDOW TRIM KIT W/ CORNER BLOCKS Solid Surface

SPECIFICATIONS

Kit includes 8 pc. solid surface material: four square corner blocks, one horizontal sill panel, two vertical and one horizontal jamb panel. Trims are trimmable.

Colors are matching Luxura, Monterey, and BelAir. Complimentary colors 01 White, 02 Cameo/Biscuit, 39 Grey, 40 Dark Grey, 09 Black are available for Trinity, Silhouette, Pioneer, and Pioneer Plus.

Model No.	Description	Ship Wt. (lbs)
SMWTK367-	36" Window Trim	20
SMWTK487-	48" Window Trim	25
SMWTK547-	54" Window Trim	30



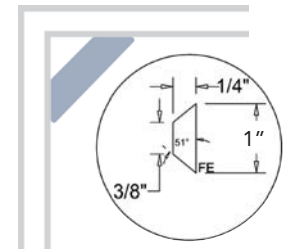
INSIDE CORNER MOLDING Solid Surface

SPECIFICATIONS

Flat inside corner molding for use with wall panels. SMFIM722 and SMFIM962 kit includes 2 pieces. SMFIM9620 kit includes 20 pieces.

Available in all wall colors except Pioneer and Pioneer Plus walls. BelAir and Trinity only available in 96" height molding.

Model No.	Description	Ship Wt. (lbs)
SMFIM722-	72"L Molding	9
SMFIM962-	96"L Molding	9
SMFIM9620-	96"L in Bulk (20)	92

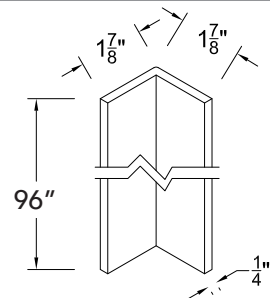


OUTSIDE CORNER MOLDING Solid Surface

SPECIFICATIONS

Features: Solid surface outside corner molding 96" x 1-7/8" x 1/4". Colors are matching Luxura, Monterey, and BelAir. Complimentary colors 01 White, 02 Cameo/Biscuit, 39 Grey, 40 Dark Grey and 09 Black are available for Trinity, Silhouette, Pioneer, and Pioneer Plus. Sold in Pairs.

Model No.	Description	Ship Wt. (lbs)
SMOCT962-	Corner Molding	12

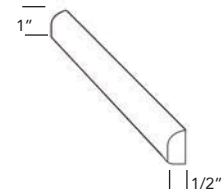


SHOE MOLDING Solid Surface

SPECIFICATIONS

Solid surface material. Surface mounted shoe molding. Colors are matching Luxura, Monterey, and BelAir. Complimentary colors 01 White, 02 Cameo/Biscuit, 39 Grey, 40 Dark Grey and 09 Black are available for Trinity, Silhouette, Pioneer, and Pioneer Plus. Sold each.

Model No.	Description	Ship Wt. (lbs)
SMSHOE601-	60" Molding	1.9



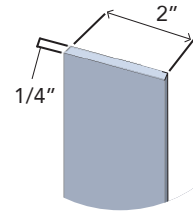


BATTEN MOLDING Solid Surface

SPECIFICATIONS

Solid Surface Batten Molding. Colors are matching Luxura, Monterey, and BelAir. Complimentary colors 01 White, 02 Cameo/Biscuit, 39 Grey, 40 Dark Grey and 09 Black are available for Trinity, Silhouette, Pioneer, and Pioneer Plus. Sold each.

Model No.	Description	Ship Wt. (lbs)
SMBATN601-	60" Batten	4.5
SMBATN721-	72" Batten	10.5
SMBATN961-	96" Batten	13.0

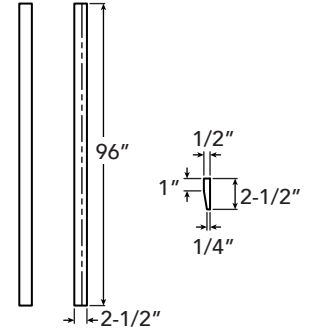


CHAMFER EDGE TRIM KIT Solid Surface

SPECIFICATIONS

Chamfer edge trim kit for use at top edge of shower walls. Colors are matching Luxura and Monterey. Complimentary colors 01 White, 02 Cameo/Biscuit, 39 Grey, and 40 Dark Grey are available for Silhouette. Set of 2 pieces.

Model No.	Description	Ship Wt. (lbs)
SMCTM962-	96" x 2-1/2" Trim	10

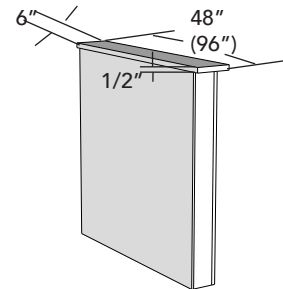


WALL CAPS Solid Surface

SPECIFICATIONS

Solid Surface wall cap for use all wall panels. Colors are matching Luxura, Monterey, and BelAir. Complimentary colors 01 White, 02 Cameo/Biscuit, 39 Grey, 40 Dark Grey and 09 Black are available for Trinity, Silhouette, Pioneer, and Pioneer Plus. Sold each.

Model No.	Overall Size L x W x H	Ship Wt. (lbs)
SMWC648-	6" x 48" x 1/2"	11
SMWC696-	6" x 96" x 1/2"	22

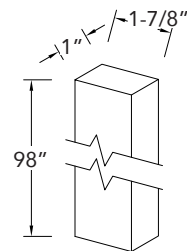


1" WALL TRANSITION EDGE MOLDING Solid Surface

SPECIFICATIONS

Long rectangular molding made of solid surface material for use with all wall panels. Designed to make the transition from drywall to wall kit. Kit includes 1 piece. Colors are matching Luxura, Monterey, and BelAir. Complimentary colors 01 White, 02 Cameo/Biscuit, 39 Grey, 40 Dark Grey and 09 Black are available for Trinity, Silhouette, Pioneer, and Pioneer Plus.

Model No.	Size	Ship Wt. (lbs)
SMEM981-	98" x 1-7/8" x 1"	14



SMCS88PR

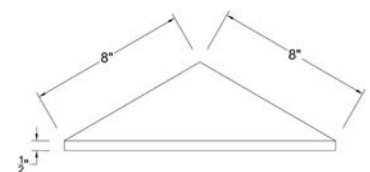
8" CORNER SHELF in Pairs Solid Surface

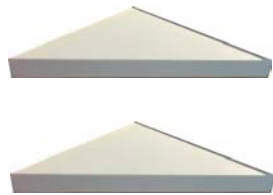
SPECIFICATIONS

This is a pair of corner shelves in the shape of a triangle. They are 1/2" thick. Colors are matching Luxura, Monterey, and BelAir. Complimentary colors 01 White, 02 Cameo/Biscuit, 39 Grey, 40 Dark Grey and 09 Black are available for Trinity, Silhouette, Pioneer, and Pioneer Plus.

(Sold in a Pairs) Clear 100% silicone 502CL-2.8 recommended for use with this product.

Model No.	Size	Ship Wt. (lbs)
SMCS88PR-	8" x 8" x 1/2"	2

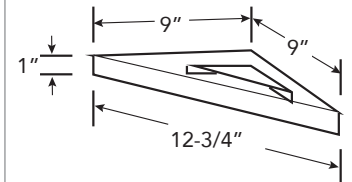




9" CORNER SHELF w/Brackets in Pairs
Solid Surface

SPECIFICATIONS
Corner shelf/Footrest with 2 mounting brackets. 1/2" thick with 1" drop down front. Grooved for easy installation. Colors match Luxura, Monterey, and BelAir. Complimentary colors 01 White, 02 Cameo/Biscuit, 39 Grey, 40 Dark Grey and 09 Black are available for Trinity, Silhouette, Pioneer, and Pioneer Plus. **(Sold in a Pairs)**

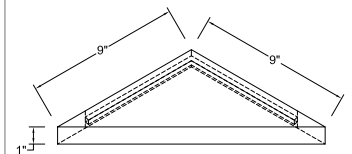
Model No.	Size	Ship Wt. (lbs)
SMCSB99PR-	9" x 9" x 1"	4



9" CORNER SHELF/FOOTREST w/ Pins
Solid Surface

SPECIFICATIONS
Corner shelf/Footrest with mounting hardware. Finished Top & Bottom. Grooved for easy installation. Includes 4 stainless steel dowel pins and a drill bit. Colors are matching Luxura, Monterey, and BelAir. Complimentary colors 01 White, 02 Cameo/Biscuit, 39 Grey, 40 Dark Grey and 09 Black are available for Trinity, Silhouette, Pioneer, and Pioneer Plus. Sold each.

Model No.	Size	Ship Wt. (lbs)
SMCS99SS-	9" x 9" x 1"	2

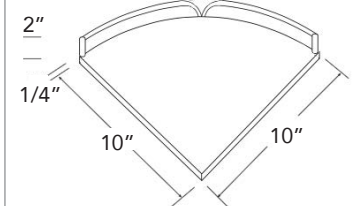


10" Monterey CORNER SHELF
Solid Surface

SPECIFICATIONS
Attractive compressed solid surface corner shelf matches all MONTEREY walls. Also available in 02 Cameo/Biscuit. Large curving shelf supports most bottles. Includes mounting hardware for a simple install. Surface is smooth and easy to clean. Colors match both the tile and velvet finishes.



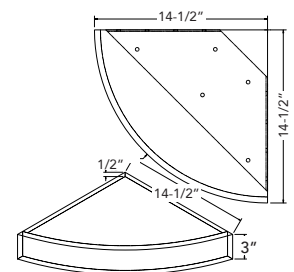
Model No.	Size	Ship Wt. (lbs)
SMMCS1010-	10" x 10"	5



15" CURVED CORNER SHOWER SEAT Solid Surface

SPECIFICATIONS
Seat is made of solid surface material in complimentary solid colors of 01 White, 02 Cameo/Biscuit, 39 Grey, 40 Dark Grey and 09 Black. Seat has 3"H bold edge at front. It has a stainless steel angled corner bracket that is attached to the wall. Seat holds up to 250 lbs. capacity.

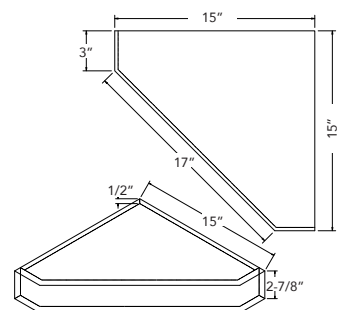
Model No.	Description	Ship Wt. (lbs)
SMCCS1515-	Corner Shower Seat	12



15" NEO ANGLE CORNER SHOWER SEAT
Solid Surface

SPECIFICATIONS
Seat is made of solid surface material in matching colors of Luxura, Monterey, and BelAir. Seat has 2-7/8"H bold edge at front. It has a stainless steel angled corner bracket that is attached to the wall. Seat holds up to 250 lbs. capacity.

Model No.	Description	Ship Wt. (lbs)
SMNCS1515-	Corner Shower Seat	12



Shelf
SMSSSK8Soap Dish
SMSD5

8" x 4" SHOWER SHELF/SOAP DISH KITS Solid Surface

SPECIFICATIONS

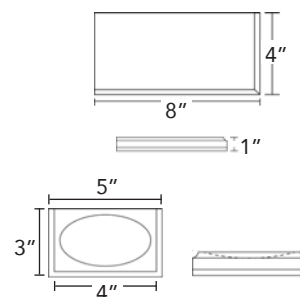
SMSSSK8: Shower shelves 8" x 4" set of 2: 1-LH, 1-RH, installation adhesive.

SMSD5: Soap dish 5" x 3", installation adhesive.

SMSSTK8: Shower shelves (SMSSSK8) and soap dish (SMSD5), installation adhesive

Available colors: 01 White, 02 Cameo/Biscuit, 39 Grey, 40 Dark Grey, 09 Black.

Model No.	Description	Ship Wt.
SMSSSK8-	Shower Shelf Kit	4.0
SMSD5-	Soap Dish	2.0
SMSSTK8-	Shelves/Soap Dish Kit	6.0



Monterey SHOWER CADDY

SPECIFICATIONS

Attractive compressed solid surface shower caddy matches all Monterey walls. Also available in solid color 02 Cameo/Biscuit. Large 10-1/2" high shampoo shelf supports most bottles. Ribbed soap dish storage provides a convenient location.

Colors match both the tile and velvet finishes.



White 21



Grey Stone 27



Butternut 28



Cameo/Biscuit 02



Carrara 47



Butterscotch 48



Creme 49

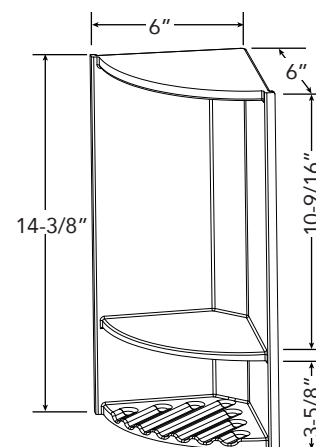


Moonstone 50

Classic Colors

Marble Colors

Model No.	Size W x H x Front	Ship Wt. (lbs)
SMSC1506-	6" x 14-3/8" x 8-1/2"	4.5



SOLID SURFACE STORAGE POD

SPECIFICATIONS

Attractive compressed solid surface 14" x 14" storage pod matches all Monterey and BelAir walls. Also available in solid color 02 Cameo/Biscuit. Colors match both the tile and velvet finishes.

Classic Colors



21



27



28



02

BelAir Colors



71



72



73

Marble Colors



47



48



49



50



74

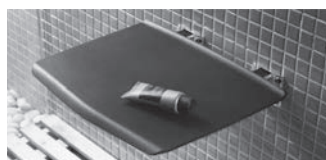
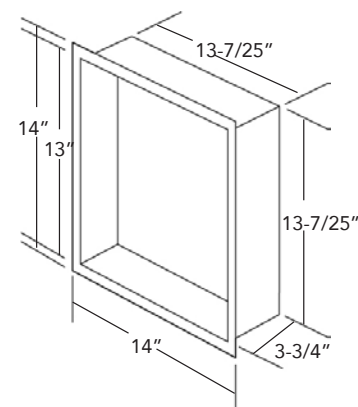


75



PW11

Model No.	Size L x W x D	Ship Wt. (lbs)
SMSSP1414-	14" x 3-3/4" x 14"	6



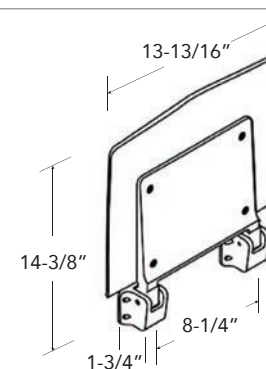
FLIP UP SHOWER SEAT

SPECIFICATIONS

Seat: L13-13/16" x W13-5/16" x H2-3/4"

Aluminum and ABS fold-up anti-bacterial seat. Surface mounted metal wall brackets and metal seat support. Seat holds up to 330 lbs. capacity. A fold up seat offers a comfortable seating area when required, and tucks back against the wall when not in use.

Model No.	Description	Color	Ship Wt. (lbs)
SMFSS1313-32	Flip Up Shower Seat	Cameo	14
SMFSS1313-09	Flip Up Shower Seat	Black	14



SAVANNAH SHOWER SEAT

SPECIFICATIONS

Solid Surface Top Size: L24-1/2" x W12-1/2" x H1"
 Frame Size: L24" x W12" x H17-3/4"

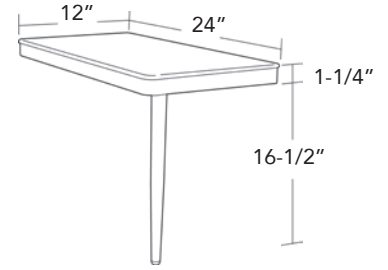
Beautiful shower seat is elegant compliment to any shower. Seat includes metal frame with fixed leg. 1" thick top of the seat is made of solid surface material. Colors match all Luxura and Monterey walls. Complimentary colors 01 White, 02 Cameo/Biscuit, 39 Grey, 40 Dark Grey and 09 Black are available for Trinity, BelAir, Silhouette, Pioneer, and Pioneer Plus. Frame is available in (BS) brushed stainless and 2 PVD finishes: (CB) Champagne Bronze and (MB) Matte Black. On site installation. Mounting hardware included. Order Left (LH) or Right (RH) seat. RH Seat shown.

To Order: add finishes and color code after "-", i.e.: SMSSSL2412R-CB01



SMSSSL2412R-CB01

Left Hand Model No.	Right Hand Model No.	Ship Wt. (lbs)
SMSSSL2412L-	SMSSSL2412R-	17



Frame Measurement

WALL TO WALL BENCH SEAT Solid Surface for custom shower installation

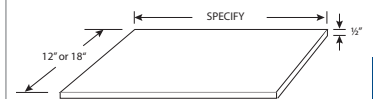
SPECIFICATIONS

Specify length to order x W12" or W18"

Solid Surface material. Designed to be installed between stud walls and sit on top of framed base. Colors are matching Luxura and Monterey. Complimentary colors 01 White, 02 Cameo/Biscuit, 39 Grey, 40 Dark Grey and 09 Black are available for Trinity, BelAir, Silhouette, Pioneer, and Pioneer Plus.



Model No.	Description	Ship Wt. (lbs)
SMWWB12-	Bench 12"	8
SMWWB18-	Bench 18"	10



ADJUSTABLE SHOWER BENCH Solid Surface

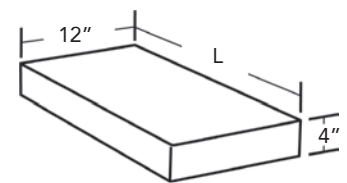
SPECIFICATIONS

Order size closest to the shower base, trim to fit between shower walls.

Seat has 4"H bold edge. Colors are matching Luxura and Monterey. Complimentary colors 01 White, 02 Cameo/Biscuit, 39 Grey, 40 Dark Grey and 09 Black are available for Trinity, BelAir, Silhouette, Pioneer, and Pioneer Plus. On site installation. Mounting hardware included.



Model No.	Size L x W x H	Ship Wt. (lbs)
SMASB3012-	30" x 12" x 4"	27
SMASB3612-	36" x 12" x 4"	32
SMASB4812-	48" x 12" x 4"	42
SMASB6012-	60" x 12" x 4"	54
SMASB7212-	72" x 12" x 4"	65



RECTANGULAR SHOWER SEAT Solid Surface

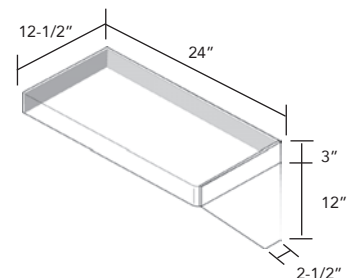
SPECIFICATIONS

Seat: L24" x W12-1/2" x H3" Side Panel: L12" x H12" x D1/2"

Solid Surface material matches all Luxura and Monterey shower walls. Complimentary colors 01 White, 02 Cameo/Biscuit, 39 Grey, 40 Dark Grey and 09 Black are available for Trinity, BelAir, Silhouette, Pioneer, and Pioneer Plus. Surface mounted. Rectangular Seat with side panel. Metal support bracket. Seat holds up to 250 lbs. capacity.



Model No.	Description	Ship Wt. (lbs)
SMRSK2412-	Rectangular Seat	22



100% SILICONE ADHESIVE

SPECIFICATIONS

Long-lasting flexibility, excellent adhesion, waterproof, crack and weather resistance. T100 clear 100% silicone for superb bonding to wall substrates and wall panel materials. T200 color matched 100% mildew resistant silicone to be used for the interior of wall panels. Silicone Adhesive sold each. Complementary colors sold in cartons of 24. *Trinity colors sold in cartons of 12. One single tube is 10.2 oz for complementary colors and 10 oz for Trinity colors.



Adhesive Color	Model No.	Ship Wt. (lbs)	Model No.	Ship Wt. (lbs) (24 or *12)
Clear	T100	1	T100B	24
White 01	T200-01	1	T200B-01	24
Cameo 02	T200-02	1	T200B-02	24
Black 09	T200-09	1	T200B-09	24
Grey 39	T200-39	1	T200B-39	24
*White Carrara KI01	T200-KI01	1	T200B-KI01	*13
*Black Carrara KI03	T200-KI03	1	T200B-KI03	*13
*Concrete KI34	T200-KI34	1	T200B-KI34	*13
*Sabana Creme KI32	T200-KI32	1	T200B-KI32	*13



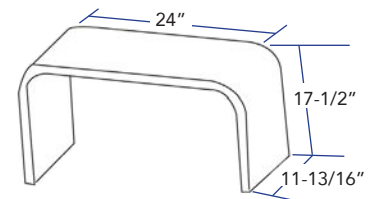
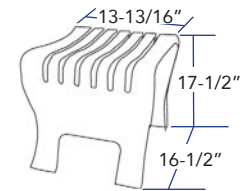
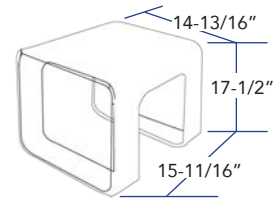
SMSASO161517

**17.5" HIGH STAND ALONE SHOWER SEATS
Solid Surface**

SPECIFICATIONS

Attractive cast solid surface shower seat coordinates with all Silhouette, Monterey, Luxura, and BelAir walls. Easily transportable. Solid surface seat contains consistent material from top to bottom, enabling the seat to be renewed to a brand new surface. Meets ADA height requirement. Features a weight capacity of 661lbs. Available colors: White 01

Model No.	Size L x W x H	Ship Wt. (lbs)
SMSASO161517	16" x 15" x 17-1/2"	11
SMSASC171417	17" x 14" x 17-1/2"	12
SMSASB241217	24" x 12" x 17-1/2"	24



SMSASC171417



SMSASB241217

PENELOPE FOLD UP PADDED SEAT

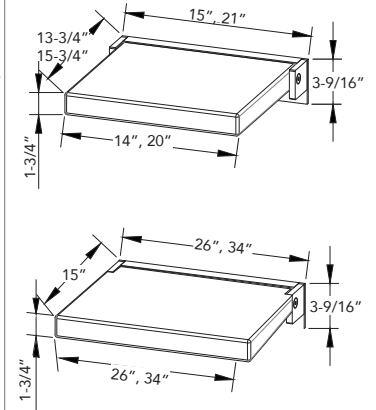
SPECIFICATIONS

Convenient and functional fold up seat maximizes showering space. Stainless steel mounting bracket provides added durability and strength. Seat holds up to 300 lbs. capacity. Anti-microbial seat keeps surface sanitary. Available in four sizes.
Available colors: White (01), Black (09)
*ADA compliance



To Order: Add the finish code after color code.

Model No.	Size L x W x H	Ship Wt. (lbs)
SMPPS1414UP-	14" x 13.6" x 1.8"	14
SMPPS1420UP-	20" x 13.6" x 1.8"	20
*SMPPS1526UP-	26" x 15" x 1.8"	30
*SMPPS1534UP-	34" x 15" x 1.8"	40



L-SHAPED TRANSFER STYLE SHOWER SEAT

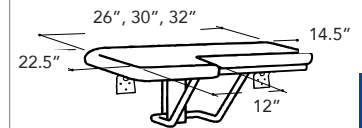
SPECIFICATIONS

Convenient L-shaped ADA shower seat provides secure support in the shower, and easily folds against the wall when not in use. Using quality craftsmanship from premium brushed stainless steel frame and durable water-resistant materials for long-lasting use in the tub or shower. Available in different sizes. Seat top material is High Density Poly Ethylene (HDPE) phenolic material. Only available in White color. Optional vinyl cushion is available in Naugahyde White (NW)



***To order with cushion:**
Add "NW" after "-"

Left Hand	Right Hand	Size
SMLTSSS2623L-	SMLTSSS2623R-	26" x 22.5"
SMLTSSS3023L-	SMLTSSS3023R-	30" x 22.5"
SMLTSSS3223L-	SMLTSSS3223R-	32" x 22.5"



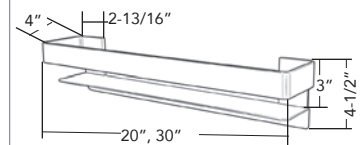
JOLIE GRAB BAR SHELF

SPECIFICATIONS

Stainless Steel construction offers added durability and strength. Concealed top mounting bracket hides hardware at top. Can be installed on tile, inside or outside of the shower. Requires 2" solid wood in-wall backing. Rail ensures that showering products do not fall from a shelf. Weight capacity up to 300lbs. Available in 20" and 30" wide.



Model No.	Size L x W x H	Ship Wt. (lbs)
SMJGBS20-	20" x 4" x 3"	7
SMJGBS30-	30" x 4" x 3"	10



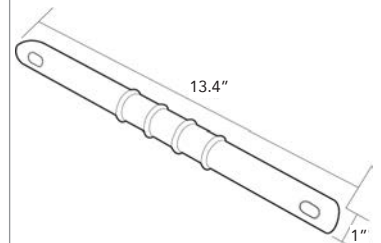
SHOWER FOOTREST

SPECIFICATIONS

Shower footrest with rubber rings. 304 stainless steel.



Model No.	Size L x H	Ship Wt. (lbs)
SMFR13-	13-3/8" x 1"	5



SIENNA GRAB BAR KIT

SPECIFICATIONS

SMSLVG321836 L32" x W18" x H36"

SMSLVG442636 L44" x W26" x H36"

ADA compliant grab bar kit includes one Sienna Reversible Grab Bar (SMSLG) and one Sienna Vertical Grab Bar (SMSVGS).

Sienna Reversible Grab Bar

SMSLG3218 L32" x W18" x H3"

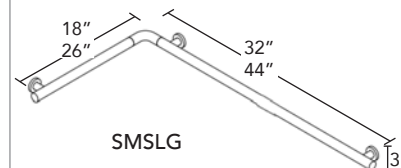
SMSLG4426 L44" x W26" x H3"

Horizontal L-shaped grab bars are reversible and for independent living. 1-1/4" diameter tube. With solid casting fixing feet to wall. Heavy duty 304 stainless steel. Note: Can be used independently from the SMSVGS Sienna Vertical Grab Bar.

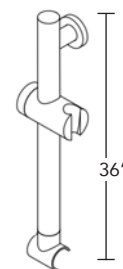
Sienna Vertical Grab Bar

SMSVGS36 W3" x H36"

Vertical grab bar has hand shower cradle that slides up and down the grab bar. The bottom grab bar foot mounts onto the SMSLG grab bar. 1-1/4" diameter tube. With solid casting fixing top foot to wall. 304 stainless steel. Note: MUST be used with SMSLG Sienna Reversible Grab Bar.



SMSLG



SMSVGS

Model No.	Description	Polished (PC) Brushed (BS)	Matte Black (MB)	Champagne Bronze (CB)	Ship Wt. (lbs)
-----------	-------------	-------------------------------	------------------	-----------------------	----------------

Sienna Grab Bar Kit

SMSLVG321836-	32" Grab Bar Kit				9
SMSLVG442636-	44" Grab Bar Kit				9

Grab Bar Kit Components

Sienna Reversible Grab Bar

SMSLG3218-	32" Grab Bar				5.5
SMSLG4426-	44" Grab Bar				5.5

Sienna Vertical Grab Bar

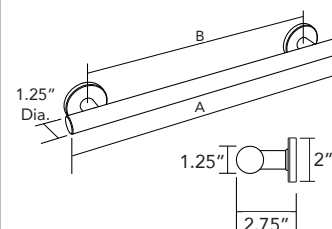
SMSVGS36-	36" Grab Bar				3.5
-----------	--------------	--	--	--	-----

SIENNA GRAB BARS

SPECIFICATIONS

Decorative ADA compliant grab bars that enhance the look of the shower while providing peace of mind and independent living. Concealed mounting. Includes (2) 2" twist on escutcheons. Heavy duty 304 stainless steel. Mounting hardware included.

Model No.	Size Length		Polished Stainless (PS)	Brushed Stainless (BS)	Matte Black (MB)	Champagne Bronze (CB)
	A	B				
SMSS12-	16"	12"				
SMSS18-	22"	18"				
SMSS24-	28"	24"				
SMSS30-	34"	30"				
SMSS36-	40"	36"				
SMSS42-	46"	42"				
SMSS48-	52"	48"				
SMSS54-	58"	54"				



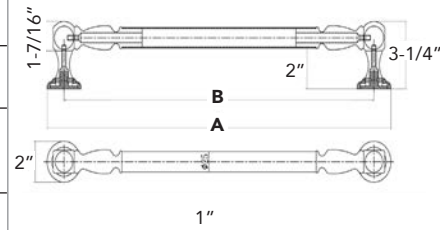
NICHOLSON GRAB BAR

SPECIFICATIONS

Distinctive grab bars that enhance the look of the shower while providing peace of mind and independent living. Concealed mounting. Includes 2 flange covers. Heavy duty 304 stainless steel. Mounting hardware included.



Model No.	Description	Size Length		1" Diameter		
		A	B	Polished(PC) Brushed(BS)	Matte Black (MB)	Champagne Bronze(CB)
SMNS12-	12" Grab Bar	14"	12"			
SMNS16-	16" Grab Bar	18"	16"			
SMNS18-	18" Grab Bar	20"	18"			
SMNS24-	24" Grab Bar	26"	24"			
SMNS32-	32" Grab Bar	34"	32"			



BARRINGTON PLAIN GRAB BAR

SPECIFICATIONS

Two-tone finish (Polished Chrome tube with brushed stainless steel ring), decorative grab bars that enhance the look of the shower while providing peace of mind and independent living. Concealed mounting. Includes 2 flange covers. Heavy duty 304 stainless steel. Mounting hardware included.



Model No.	Description	Size Length		1" Diameter
		A	B	Polished (PC)
SMBPS12-PC	12" Grab Bar	16"	12"	
SMBPS16-PC	16" Grab Bar	20"	16"	
SMBPS18-PC	18" Grab Bar	22"	18"	
SMBPS24-PC	24" Grab Bar	28"	24"	
SMBPS32-PC	32" Grab Bar	36"	32"	



BARRINGTON KNURLED GRAB BAR

SPECIFICATIONS

Knurled decorative grab bars that enhance the look of the shower while providing peace of mind and independent living. Concealed mounting. Includes 2 flange covers. Heavy duty 304 stainless steel. Mounting hardware included.



Model No.	Description	Size Length		1" Diameter		
		A	B	Brushed (BS)	Matte Black (MB)	Champagne Bronze (CB)
SMBKS12-	12" Grab Bar	16"	12"			
SMBKS16-	16" Grab Bar	20"	16"			
SMBKS18-	18" Grab Bar	22"	18"			
SMBKS24-	24" Grab Bar	28"	24"			
SMBKS32-	32" Grab Bar	36"	32"			





SMTZL2231-BS

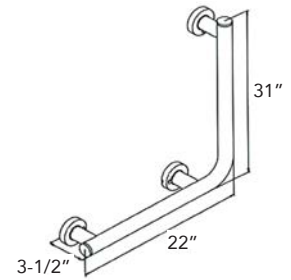
TYLER L-SHAPED GRAB BAR

SPECIFICATIONS

SMTZL2231L/R

L22" x H31" x Dia. 1-1/4"

Independent living L-shaped ADA approved grab bar. 1-1/4" diameter. Concealed mounting. Includes flange covers. Heavy duty 304 stainless steel. Mounting hardware included. Order either left hand or right hand grab bar. Only available in (BS) Brushed Stainless.



Model No. Left Hand	Model No. Right Hand	Description	Ship Wt. (lbs)
SMTZL2231L-BS	SMTZL2231R-BS	L-Shaped Bar	2.00

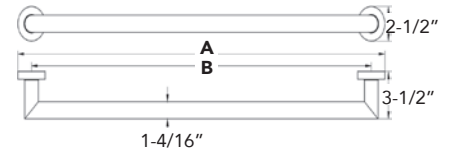


TYLER 1-1/4" GRAB BARS

SPECIFICATIONS

Independent living straight ADA approved grab bar. 1-1/4" diameter. Heavy duty 304 stainless steel. Mounting hardware included. Only available in (BS) Brushed Stainless.

Model No.	Description	Size		Depth
		A	B	
SMTZS18BS	18" Grab Bar	20-15/64"	17-23/32"	3-15/32"
SMTZS24BS	24" Grab Bar	26-9/64"	23-5/8"	3-15/32"
SMTZS32BS	32" Grab Bar	34-9/64"	31-5/8"	3-15/32"



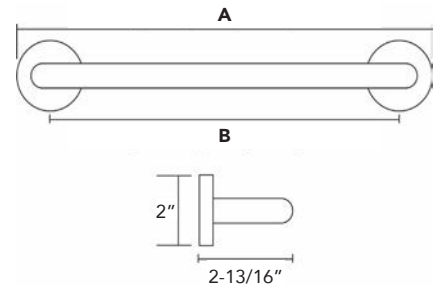
Tyler SMTS24-BS

TYLER GRAB BARS

SPECIFICATIONS

Decorative grab bars that enhance the look of the shower while providing peace of mind and independent living. Concealed mounting. Includes 2 flange covers. Heavy duty 304 stainless steel. Mounting hardware included.

Model No.	Description	Size Length		1" Diameter		
		A	B	Polished (PC) Brushed (BS)	Matte Black (MB)	Champagne Bronze (CB)
SMTS12-	12" Grab Bar	13"	12"			
SMTS16-	16" Grab Bar	17"	16"			
SMTS18-	18" Grab Bar	19"	18"			
SMTS24-	24" Grab Bar	25"	24"			
SMTS32-	32" Grab Bar	32.9"	31.9"			



SMTRH-PC

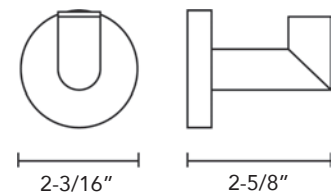
TYLER ROBE HOOK

SPECIFICATIONS

SMTRH Dia. 2-11/64" x W2-19/32"

Tyler Series surface mounted stainless and brass single robe hook. Concealed mounting. Heavy duty 304 stainless steel. Mounting hardware included.

Model No.	Description	Polished (PC) Brushed (BS)	Matte Black (MB)	Ship Wt.
SMTRH-	Robe Hook			0.5





SMPH-PC

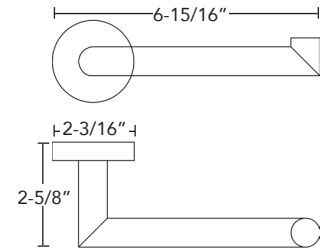
TYLER TOILET PAPER HOLDER

SPECIFICATIONS

SMPH L6-59/64" x W2-19/32" x H2-11/64"

Tyler Series surface mounted stainless and brass paper holder. Concealed mounting. Heavy duty 304 stainless steel. Mounting hardware included.

Model No.	Description	Polished (PC) Brushed (BS)	Matte Black (MB)	Ship Wt.
SMPH-	Paper Holder			0.7



SMTTB24-PC

TYLER TOWEL BARS

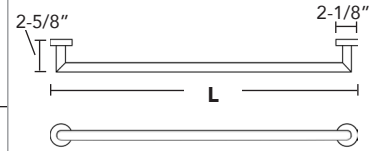
SPECIFICATIONS

SMTTB18 L17-7/8" x W2-41/64" x H2-1/8"

SMTTB24 L25-3/4" x W2-41/64" x H2-1/8"

Tyler Series surface mounted stainless and brass towel bars. Concealed mounting. Heavy duty 304 stainless steel. Mounting hardware included.

Model No.	Description	Polished (PC) Brushed (BS)	Matte Black (MB)	Ship Wt.
SMTTB18-	18" Towel Bar			1.00
SMTTB24-	24" Towel Bar			1.25



SMCPH-BS

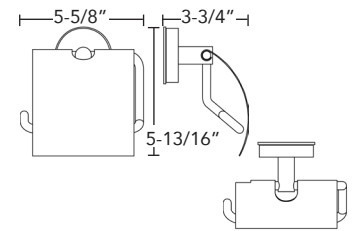
COLTON TOILET PAPER HOLDER

SPECIFICATIONS

SMCPH L5-19/32" x W3-47/64" x H5-53/64"

Colton Series surface mounted paper holder with cover. Easy, time saving installation. Powerful vacuum suction holding system. Locks in place, won't fall off.

Model No.	Description	Polished (PC)	Brushed (BS)	Ship Wt.
SMCPH-	Paper Holder			0.7



SMCTR-BS

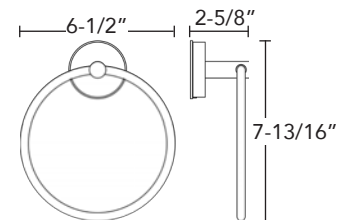
COLTON TOWEL RING

SPECIFICATIONS

SMCTR Dia. 6-1/2" x W2-41/64" x H7-51/64"

Colton Series surface mounted towel ring. Easy, time saving installation. Powerful vacuum suction holding system. Locks in place, won't fall off.

Model No.	Description	Polished (PC)	Brushed (BS)	Ship Wt.
SMCTR-	Towel Ring			0.5



SMCRH-BS

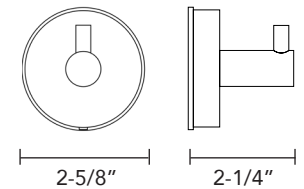
COLTON ROBE HOOK

SPECIFICATIONS

SMCRH Dia. 2-19/32" x W2-1/4"

Colton Series surface mounted single robe hook. Easy, time saving installation. Powerful vacuum suction holding system. Locks in place, won't fall off.

Model No.	Description	Polished (PC)	Brushed (BS)	Ship Wt.
SMCRH-	Robe Hook			0.3



SMCTB-BS

COLTON TOWEL BARS

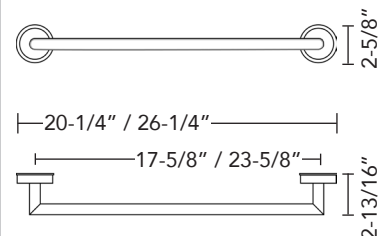
SPECIFICATIONS

SMCTB18 L20-7/32" x W2-53/64" x H2-19/32"

SMCTB24 L26-7/32" x W2-53/64" x H2-19/32"

Colton Series surface mounted towel bar. Easy, time saving installation. Powerful vacuum suction holding system. Locks in place, won't fall off.

Model No.	Description	Polished (PC)	Brushed (BS)	Ship Wt.
SMCTB18-	Towel Bar			0.7
SMCTB24-	Towel Bar			0.7





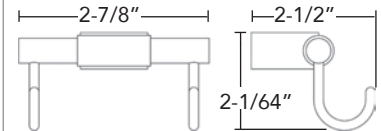
SMMDRH-BS

MANHATTAN DOUBLE ROBE HOOK

SPECIFICATIONS

SMMDRH L3-57/64" x H2-1/64" x D2-35/64"
Manhattan Series surface mounted double robe hook. Concealed mounting. Heavy duty 304 stainless steel. Mtg. hardware included.

Model No.	Description	(PC) List	(BS) List	(MB) List	Ship Wt.
SMMDRH-	Robe Hook				0.5



SMMPH-BS



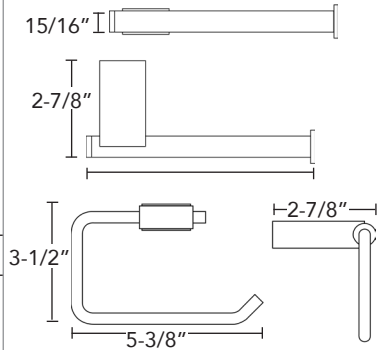
SMMSPH-BS

MANHATTAN TOILET PAPER HOLDERS

SPECIFICATIONS

SMMSPH L6-59/64" x W2-7/8" x Dia.59/64" straight paper holder
SMMPH L5-25/64" x W2-7/8" x H3-35/64" curved style paper holder
Manhattan surface mounted paper holders. Concealed mounting. Heavy duty 304 stainless steel. Mounting hardware included.

Model No.	Description	(PC) List	(BS) List	(MB) List	Ship Wt.
SMMSPH-	Paper Holder				0.7
SMMPH-	Paper Holder				0.7



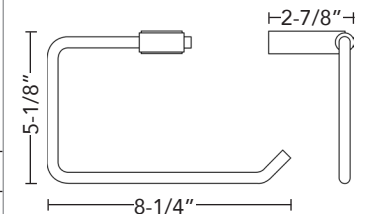
SMMTR-BS

MANHATTAN TOWEL RING

SPECIFICATIONS

SMMTR L8-15/64" x W2-7/8" x H5-1/8"
Manhattan Series surface mounted towel ring. Concealed mounting. Heavy duty 304 stainless steel. Mounting hardware included.

Model No.	Description	(PC) List	(BS) List	(MB) List	Ship Wt.
SMMTR-	Towel Ring				0.7



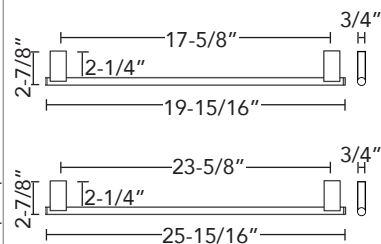
SMMTB-BS

MANHATTAN TOWEL BARS

SPECIFICATIONS

SMMTB18 L19-29/32" x W2-7/8" x H47/64"
SMMTB24 L25-29/32" x W2-7/8" x H47/64"
Manhattan Series surface mounted towel bar. Concealed mounting. Heavy duty 304 stainless steel. Mounting hardware included.

Model No.	Description	(PC) List	(BS) List	(MB) List	Ship Wt.
SMMTB18-	18" Bar				1
SMMTB24-	24" Bar				1



SMMSD9-BS



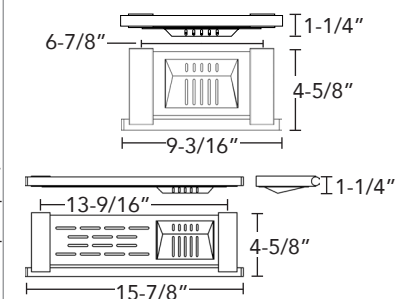
SMMSD16-BS

MANHATTAN SOAP DISH & SHELF

SPECIFICATIONS

SMMSD9 L9-11/64" x W4-41/64" x H1-7/32"
SMMSD16 L15-55/64" x W4-41/64" x H1-7/32"
Manhattan Series surface mounted soap dish and shelf. Concealed mounting. Heavy duty 304 stainless steel. Mounting hardware included.

Model No.	Description	(PC) List	(BS) List	(MB) List	Ship Wt.
SMMSD9-	9" Dish				1
SMMSD16-	16" Shelf				1.5



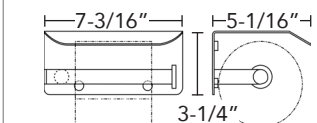
SMMPHS-BS

MANHATTAN TOILET PAPER HOLDER with SHELF

SPECIFICATIONS

SMMPHS L7-11/64" x W5-5/64" x H3-15/64"
Manhattan Series surface mounted paper holder with shelf. Concealed mounting. Heavy duty 304 stainless steel. Mounting hardware included.

Model No.	Description	Polished (PC) List	Brushed (BS) List	Matte Black (MB) List	Ship Wt.
SMMPHS-	Paper Holder				1.25





Manhattan SMMS12BS



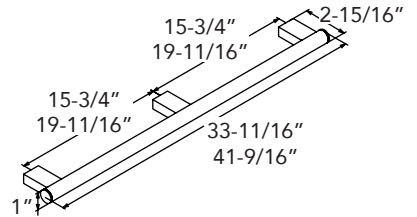
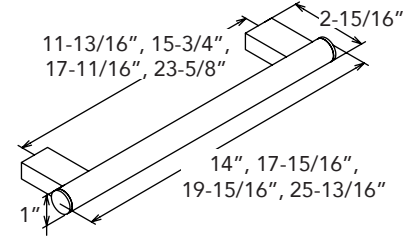
*Manhattan SMMS32PC
*Manhattan SMMS42PC
*** Include 3 flange covers**

MANHATTAN GRAB BARS

SPECIFICATIONS

Decorative grab bars that enhance the look of the shower while providing peace of mind and independent living. Concealed mounting. Includes 2 flange covers. 32" and 42" include 3 flange covers. Heavy duty 304 stainless steel. Mounting hardware included. ** Insert finish color after model No.

**Model No.	Nominal Size Length	1" Diameter		
		Polished (PC)	Brushed (BS)	Matte Black (MB)
SMMS12	12"			
SMMS16	16"			
SMMS18	18"			
SMMS24	24"			
*SMMS32	32"			
*SMMS42	42"			N/A



MANHATTAN GRAB BARS W/ Silicone Grip



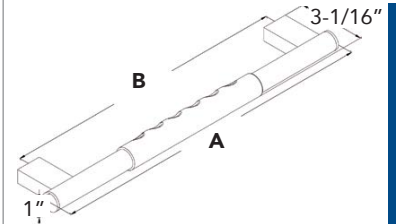
SPECIFICATIONS

Decorative ADA compliant grab bars with a silicone grip that enhance the look of the shower while providing peace of mind and independent living. Rubber silicone grip increases bath safety by decreasing the chances of accidents that come from hands slipping off the grab bar. Concealed mounting. Includes 2 flange covers. Heavy duty 304 stainless steel. Mounting hardware included. Only available in (BS) Brushed Stainless.



Manhattan SMMSB18BS
Manhattan silicone grip available in white, grey, black with brushed stainless steel

*Model No.	Description	Length		Dia.	Depth
		A	B		
SMMS_12BS	12" Grab Bar	14"	11-13/16"	1"	3-1/16"
SMMS_16BS	16" Grab Bar	17-15/16"	15-3/4"	1"	3-1/16"
SMMS_18BS	18" Grab Bar	19-15/16"	17-11/16"	1"	3-1/16"



*** To Order add silicone grip color White (W), Grey (G) or Black (B).
For example: SMMSB18BS**

GRAB BAR SHELF Solid Surface

SPECIFICATIONS

SMGBS114 L11" x W3-3/4"

Solid surface shelf rests on the grab bar. Slide to any location on the grab bar. Removable for easy clean.

For use with Manhattan (M), Sienna (S) and Tyler (T) or (TZ) grab bars. Please indicate the initial letter of the selected grab bar to order, followed by color number. Grab bar not included, please order grab bar separately. Not for use with 12" and 16" grab bars. Use for 18" and longer grab bar.

Colors are matching Luxura, Monterey, and BelAir. Complimentary colors 01 White, 02 Cameo/Biscuit, 39 Grey, 40 Dark Grey and 09 Black are available for Silhouette, Trinity, Pioneer, and Pioneer Plus.

** Insert specific grab bar and finish color after model Model No.

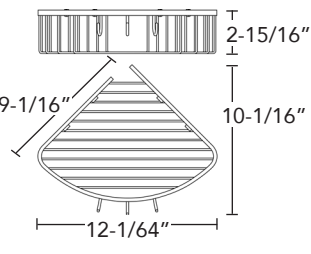
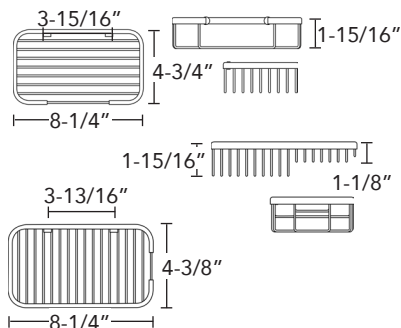



SMGBS114

****For example:
To order for Manhattan (M) in Moonstone (50) SMGBS114-M-50**

**Model No.	Description	Ship Wt.
SMGBS114-	Grab Bar Shelf	2



 <p>SMSSC-BS</p>  <p>SMSS17-BS</p>	<h3>SHOWER SHELVES</h3> <p>SPECIFICATIONS SMSSC L12-1/4" x W7-13/32" x H-25/32" SMSS17 L17-23/32" x W4-29/64" x H-25/32" Surface mounted shower shelves. Concealed mounting. Heavy duty 304 stainless steel. Mounting hardware included.</p> <table border="1"> <thead> <tr> <th>Model No.</th> <th>Description</th> <th>Polished (PC) Brushed (BS)</th> <th>Matte Black (MB)</th> <th>Ship Wt. (lbs)</th> </tr> </thead> <tbody> <tr> <td>SMSSC-</td> <td>Corner Shelf</td> <td></td> <td></td> <td>1</td> </tr> <tr> <td>SMSS17-</td> <td>17" Shelf</td> <td></td> <td></td> <td>1.25</td> </tr> </tbody> </table>	Model No.	Description	Polished (PC) Brushed (BS)	Matte Black (MB)	Ship Wt. (lbs)	SMSSC-	Corner Shelf			1	SMSS17-	17" Shelf			1.25	 <p>1-5/16" 8-3/16" 5/8" 7-3/8" 12-1/4" 13/16" 17-1/16" 4-7/16" 17-3/4"</p>
Model No.	Description	Polished (PC) Brushed (BS)	Matte Black (MB)	Ship Wt. (lbs)													
SMSSC-	Corner Shelf			1													
SMSS17-	17" Shelf			1.25													
 <p>SMSBC-BS</p>	<h3>CORNER SHOWER BASKET</h3> <p>SPECIFICATIONS SMSBC L12-1/64" x W10-3/64" x H2-29/32" Surface mounted corner shower basket. Concealed mounting. Heavy duty 304 stainless steel. Mounting hardware included.</p> <table border="1"> <thead> <tr> <th>Model No.</th> <th>Description</th> <th>Polished (PC) Brushed (BS)</th> <th>Matte Black (MB)</th> <th>Ship Wt. (lbs)</th> </tr> </thead> <tbody> <tr> <td>SMSBC-</td> <td>Corner Basket</td> <td></td> <td></td> <td>1.25</td> </tr> </tbody> </table>	Model No.	Description	Polished (PC) Brushed (BS)	Matte Black (MB)	Ship Wt. (lbs)	SMSBC-	Corner Basket			1.25	 <p>2-15/16" 9-1/16" 10-1/16" 12-1/64"</p>					
Model No.	Description	Polished (PC) Brushed (BS)	Matte Black (MB)	Ship Wt. (lbs)													
SMSBC-	Corner Basket			1.25													
 <p>SMSBR-PC</p>  <p>SMSB8-PC</p>	<h3>SHOWER BASKETS</h3> <p>SPECIFICATIONS SMSBR L8-17/64" x W4-23/32" x H1-59/64" SMSB8 L8-17/64" x W4-23/32" x H1-59/64" Surface mounted stainless and brass shower baskets. Concealed mounting. Heavy duty 304 stainless steel. Mounting hardware included.</p> <table border="1"> <thead> <tr> <th>Model No.</th> <th>Description</th> <th>Polished (PC) Brushed (BS)</th> <th>Matte Black (MB)</th> <th>Ship Wt. (lbs)</th> </tr> </thead> <tbody> <tr> <td>SMSBR-</td> <td>Rectangle Basket</td> <td></td> <td></td> <td>1</td> </tr> <tr> <td>SMSB8-</td> <td>Basket-soap ledge</td> <td></td> <td></td> <td>1</td> </tr> </tbody> </table>	Model No.	Description	Polished (PC) Brushed (BS)	Matte Black (MB)	Ship Wt. (lbs)	SMSBR-	Rectangle Basket			1	SMSB8-	Basket-soap ledge			1	 <p>3-15/16" 1-15/16" 4-3/4" 8-1/4" 1-15/16" 1-1/8" 3-13/16" 4-3/8" 8-1/4"</p>
Model No.	Description	Polished (PC) Brushed (BS)	Matte Black (MB)	Ship Wt. (lbs)													
SMSBR-	Rectangle Basket			1													
SMSB8-	Basket-soap ledge			1													
	<h3>ADJUSTABLE STRAIGHT SHOWER ROD</h3> <p>SPECIFICATIONS Adjustable straight fixed shower rod. Rod extends from 39-1/2" to 72". 1" diameter larger tube with 7/8" diameter smaller tube. 2" diameter decorative caps conceal mounting hardware. 304 stainless steel. Mounting hardware included.</p> <table border="1"> <thead> <tr> <th>Model No.</th> <th>Description</th> <th>Polished (PC) Brushed (BS)</th> <th>Champagne Bronze (CB)</th> <th>Matte Black (MB)</th> <th>Ship Wt. (lbs)</th> </tr> </thead> <tbody> <tr> <td>SMSRS4072-</td> <td>Shower Rod</td> <td></td> <td></td> <td></td> <td>15</td> </tr> </tbody> </table>	Model No.	Description	Polished (PC) Brushed (BS)	Champagne Bronze (CB)	Matte Black (MB)	Ship Wt. (lbs)	SMSRS4072-	Shower Rod				15	 <p>1" 39-1/2"-72" 2"Ø 7/8"</p>			
Model No.	Description	Polished (PC) Brushed (BS)	Champagne Bronze (CB)	Matte Black (MB)	Ship Wt. (lbs)												
SMSRS4072-	Shower Rod				15												



SMFSL6032L-87

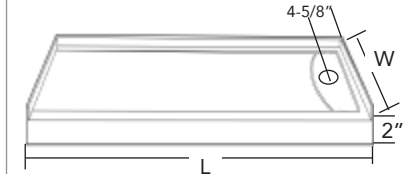
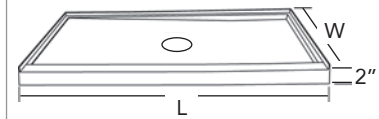
CAST SOLID SURFACE LOW PROFILE SINGLE THRESHOLD

SPECIFICATIONS

Cast solid surface linear shower bases with low 2" high single threshold feature concealed drain with removable cover that allows for easy cleaning. Order base by drain location. Base is plain with no tile pattern. Drain not included.

Colors: 01 White, 87 Concrete, 02 Cameo.

Size L x W	Drain Location		
	Left Hand	Right Hand	Center
36" x 36"			SMFSL3636C
48" x 34"	SMFSL4834L	SMFSL4834R	
60" x 32"	SMFSL6032L	SMFSL6032R	
60" x 36"	SMFSL6036L	SMFSL6036R	



SMFSL shower base RH



SMFSLB6032L-87

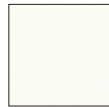
CAST SOLID SURFACE LOW PROFILE TUB REPLACEMENT

SPECIFICATIONS

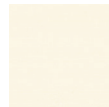
Cast solid surface low profile tub replacement shower bases have the same features as FSL but are designed to provide a direct replacement for existing bathtub. Order base by drain location. Base is plain with no tile pattern. Drain not included.

Colors: 01 White, 87 Concrete, 02 Cameo.

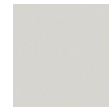
Size L x W	Drain Location	
	Left Hand	Right Hand
60" x 32"	SMFSLB6032L	SMFSLB6032R



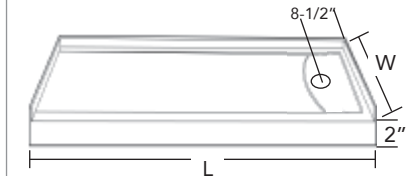
White 01



Cameo 02



Concrete 87



SMFSLB shower base RH



CAST SOLID SURFACE FSC COMMERCIAL END DRAIN

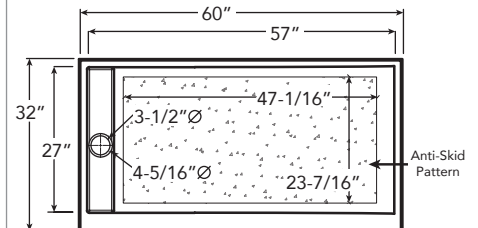
SPECIFICATIONS

SMFSC6030 L60" x W30" x H3-7/16" threshold height
 SMFSC6032 L60" x W32" x H3-7/16" threshold height
 SMFSC6034 L60" x W34" x H3-7/16" threshold height
 Solid Surface Shower Base with fine slip resistant surface. Solid material all the way through results in a product that is easy to repair. Integral 1" high tiling flange for a waterproof installation. Removable stainless steel trench drain cover for easy cleaning. Drain not included.

Colors: White 01, *Cameo 02, *Concrete 87

* Cameo and Concrete are special order bases, which require longer lead time.

Size L x W x H	Drain Location		Ship Wt.
	Left Hand	Right Hand	
60" x 30" x 3 ⁷ / ₁₆ "	SMFSC6030L	SMFSC6030R	225
60" x 32" x 3 ⁷ / ₁₆ "	SMFSC6032L	SMFSC6032R	233
60" x 34" x 3 ⁷ / ₁₆ "	SMFSC6034L	SMFSC6034R	240





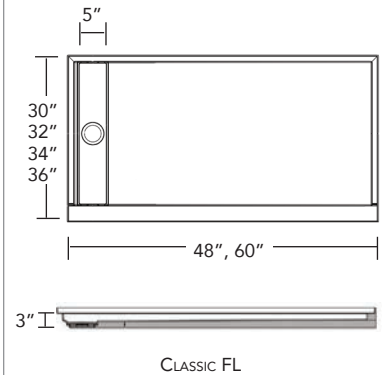
SMFL LH Drain Shower Base

FL LINEAR SINGLE THRESHOLD END DRAIN

SPECIFICATIONS

Linear shower bases feature a color-matched concealed drain removable cover that brings both a design element and comfort to your shower experience. Lift-off cover allows for easy cleaning. ABS drain included. Optional brushed stainless steel cover (SM3_CVR-SS) available at extra cost for model 6030, 6032, 6034 and 6036. FL bases feature a soft, slip resistant sand like surface. Colors: 31 White, 32 Cameo, 39 Grey.

Left Drain	Right Drain	Size	Ship Wt.
SMFL4832L	SMFL4832R	48" x 32" x 3"	47
SMFL4836L	SMFL4836R	48" x 36" x 3"	52
SMFL6030L	SMFL6030R	60" x 30" x 3"	56
SMFL6032L	SMFL6032R	60" x 32" x 3"	62
SMFL6034L	SMFL6034R	60" x 34" x 3"	67
SMFL6036L	SMFL6036R	60" x 36" x 3"	72

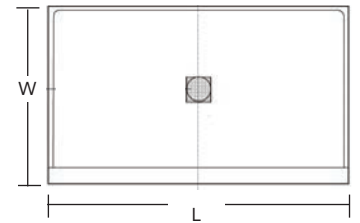


FL LINEAR SINGLE THRESHOLD CENTER DRAIN

SPECIFICATIONS

FL shower bases feature a stainless steel concealed drain removable cover that brings both a design element and comfort to the shower experience. Lift-off cover allows for easy cleaning. ABS drain included. Colors: 31 White, 32 Cameo, 39 Grey.

Center Drain	Size	Ship Wt. (lbs)
SMFL4832C	48" x 32" x 3"	47
SMFL4836C	48" x 36" x 3"	52
SMFL6032C	60" x 32" x 3"	62
SMFL6034C	60" x 34" x 3"	67
SMFL6036C	60" x 36" x 3"	72



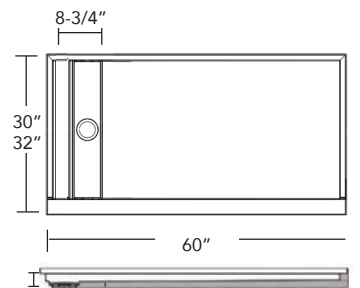
SMFL Center Drain Shower Base

FLU ULTRA LOW TUB REPLACEMENT END DRAIN

SPECIFICATIONS

Ultra low 2.6" threshold front curb for easy access. Designed to replace existing bathtub drain locations. Lift-off cover allows for easy cleaning. Drain not included. Optional brushed stainless steel drain cover (SMFLUCVR3_-SS) available at extra cost for models 6030 and 6032. Colors: 31 White, 32 Cameo, 39 Grey.

Left Drain	Right Drain	Size	Ship Wt.
SMFLU6030L	SMFLU6030R	60" x 30" x 2-5/8"	56
SMFLU6032L	SMFLU6032R	60" x 32" x 2-5/8"	60



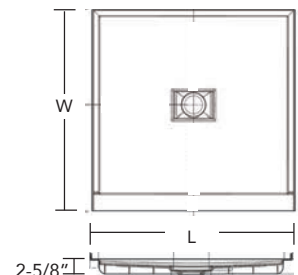
SMFLU base LH drain

FLU ULTRA LOW CENTER DRAIN

SPECIFICATIONS

Ultra low 2.6" threshold front curb for easy access. Lift-off cover allows for easy cleaning. Drain not included. Colors: 31 White, 32 Cameo, 39 Grey.

Center Drain	Size	Ship Wt. (lbs)
SMFLU3636C	36" x 36" x 2-5/8"	41
SMFLU4834C	48" x 34" x 2-5/8"	51



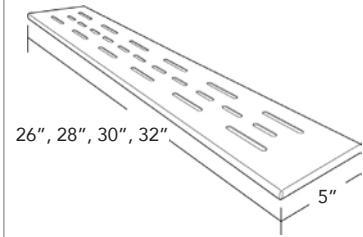
SMFLU Ultra Low Shower Base

**FL DRAIN COVER BRUSHED STAINLESS STEEL**

SPECIFICATIONS

Optional brushed stainless steel drain cover for end drain FL models.

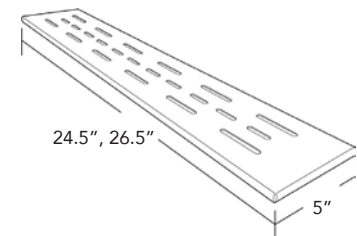
Model No.	Size	Ship Wt. (lbs)
SM30CVR-SS	26" x 5"	2
SM32CVR-SS	28" x 5"	2
SM34CVR-SS	30" x 5"	2
SM36CVR-SS	32" x 5"	2

**FLU DRAIN COVER BRUSHED STAINLESS STEEL**

SPECIFICATIONS

Optional brushed stainless steel drain cover for end drain FLU models.

Model No.	Size	Ship Wt. (lbs)
SMFLUCVR30-SS	24.5" x 5"	1
SMFLUCVR32-SS	26.5" x 5"	1

**FZS DRAIN COVER RECTANGULAR**

SPECIFICATIONS

For select center drain FZS models. Slotted rectangular stainless steel drain cover comes in stainless steel or is powder-coated to match the Trimslate shower bases.

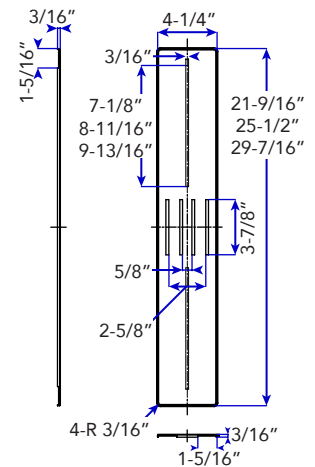
548 covers are for SMFZS48__C models.

648 covers are for SMFZS60__C and SMFZS63__C models.

748 covers are for the SMFZS66__C, SMFZS67__C, SMFZS72__C, models.

Colors: SS Stainless Steel, 31 White, 32 Cameo, 39 Grey, 09 Black

Model No.	Size	Ship Wt. (lbs)
FZSCVRC__B-548	21-9/16" x 4-1/4" x 3/16"	3
FZSCVRC__B-648	25-1/2" x 4-1/4" x 3/16"	3
FZSCVRC__B-748	29-7/16" x 4-1/4" x 3/16"	3

**SHOWER DRAIN**

SPECIFICATIONS

SMFD2 L4-1/2" x W4-1/2" x H2-1/4"

2" PVC shower drain with 304 stainless steel strainer. Drain is similar to Oatey 42099 PVC No-Caulk Shower Drain. Also a replacement for BK Products 133-102 PVC Quick Caulking Shower Drain. Available in 3 stainless steel strainer finishes.

Model No.	Description	Polished Chrome (PC)	Brushed Nickel (BN)	Matte Black (MB)	Ship Wt. (lbs)
SMFD2-	Shower Drain				0.73

